



XYZ Lift Table for Electric Motors - Small up to 150 hp Tables and Test Stands



The XYZ Lift Table Test Stand allows the testing of electrical motors with varied horizontal or vertical center lines. It features a fixture mounting plate that can be adjusted on the X-Y-Z axes. The X and Z axes are controlled through manual crank handles while the Y axis is adjusted through a remote pendant which controls a powered AC gear motor with mechanical actuator.

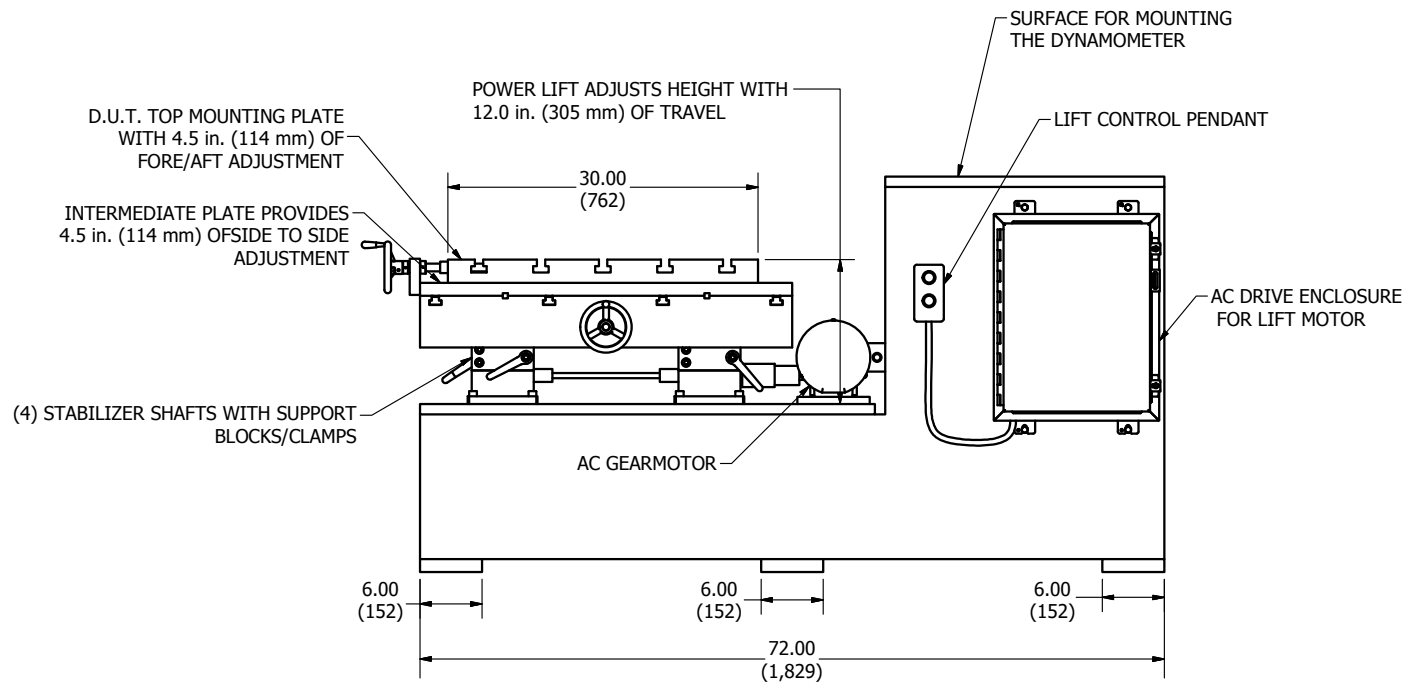
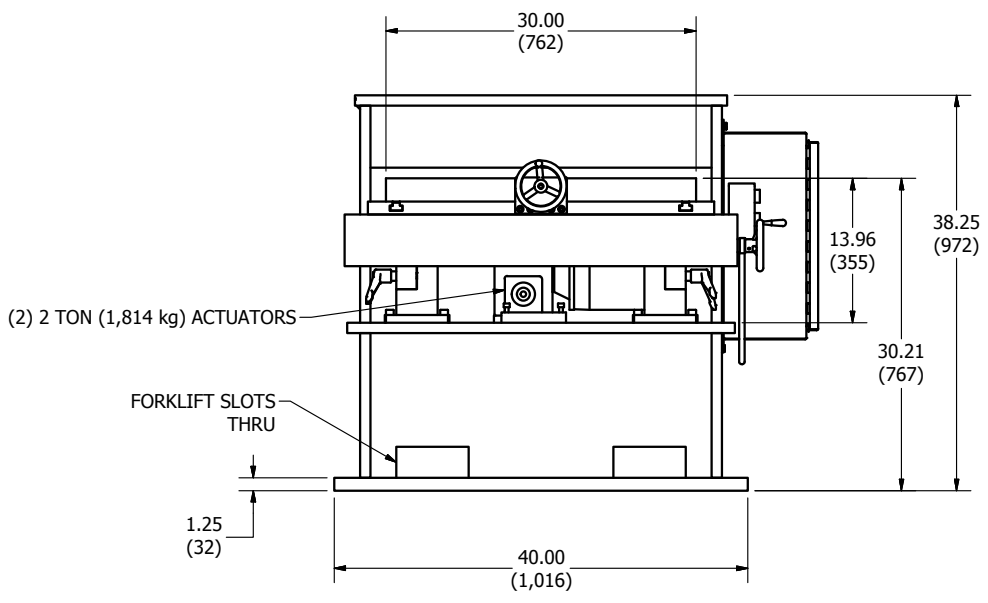
Specifications

- Accommodates dynamometers up to 150 hp (112 kW)
- Fixture mounting plate can be adjusted on the X-Y-Z axes
- X and Z axes are controlled through manual crank handles
- Y axis is adjusted through a remote pendant which controls a powered AC gear motor with mechanical actuator
- Four stabilizing risers included

Maximum Travel of X axis:	4.5 in. (114 mm)
Maximum Travel of Z axis:	4.5 in. (114 mm)
Maximum Travel of Y axis:	12 in. (305 mm)
Maximum Lift Weight:	3,500 lb (1,587.6 kg)
Mounting Plate Surface Dimensions:	30 x 30 in. (762 x 762 mm)
Footprint of Unit:	72 x 40 in. (1,829 x 1,016 mm)
Weight of Unit:	4,100 lb (1,860 kg)
Power Requirements:	480 VAC / 10.0 amp

Everything you need to succeed

in.
(mm)



Everything you need to succeed



Dyne Systems is a division of Taylor Dynamometer
(414) 755-0040 www.dynesystems.com

DS9505v002