

## XYZ Lift Table for Electric Motors - Large 300 - 650 hp Tables and Test Stands



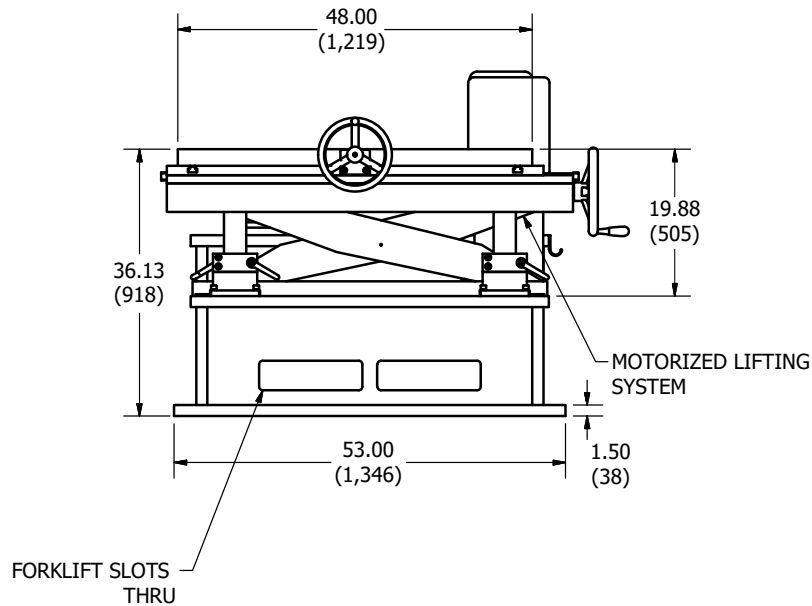
The XYZ Lift Table Test Stand allows the testing of electrical motors with varied horizontal or vertical center lines. It features a fixture mounting plate that can be adjusted on the X-Y-Z axes. The X and Z axes are controlled through manual crank handles while the Y axis is adjusted through a remote pendant which controls a hydraulic scissors lift.

### Specifications

- Accommodates dynamometers from 300 - 650 hp (224 - 485 kW)
- Fixture mounting plate can be adjusted on the X-Y-Z axes
- X and Z axes are controlled through manual crank handles
- Y axis is adjusted through a remote pendant which controls a hydraulic scissors lift
- Four stabilizing risers included

Maximum Travel of X axis:	4 in. (102 mm)
Maximum Travel of Z axis:	5 in. (127 mm)
Maximum Travel of Y axis:	12 in. (305 mm)
Maximum Lift Weight:	4,500 lb (2,041 kg)
Mounting Plate Surface Dimensions:	48 x 48 in. (1,219 x 1,219 mm)
Footprint of Unit:	131.5 x 53 in. (3,340 x 1,346 mm)
Weight of Unit:	12,900 lb (5,851 kg)
Power Requirements:	230 VAC / 460 VAC / 3PH / 60 Hz @ ~15.0 amp / 7.5 amp

in.  
(mm)



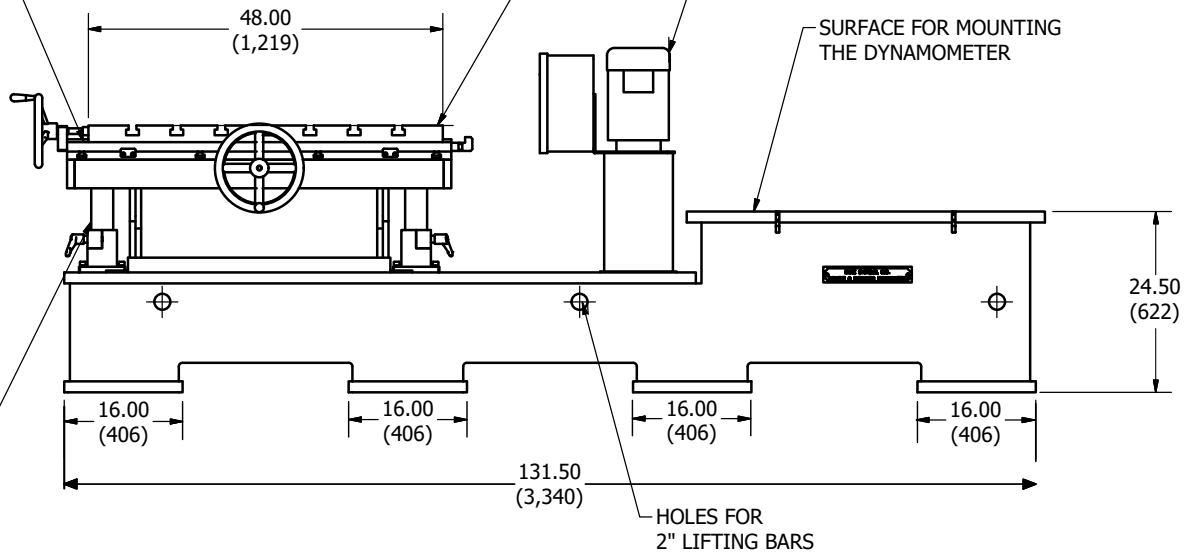
INTERMEDIATE PLATE PROVIDES 4 in. (102 mm) OF SIDE TO SIDE ADJUSTMENT

D.U.T. TOP MOUNT PLATE WITH 5 in. (127 mm) OF FORE/AFT ADJUSTMENT

Hydraulic Lift Pump Motor & Reservoir. 460V 3Ph 60Hz

SURFACE FOR MOUNTING THE DYNAMOMETER

(4) STABILIZER SHAFTS WITH SUPPORT BLOCKS/CLAMPS



*Everything you need to succeed*



Dyne Systems is a division of Taylor Dynamometer  
W209 N17391 Industrial Dr., Jackson, WI 53037  
(800) 657-0726 [www.dynesystems.com](http://www.dynesystems.com)

DS9503v002