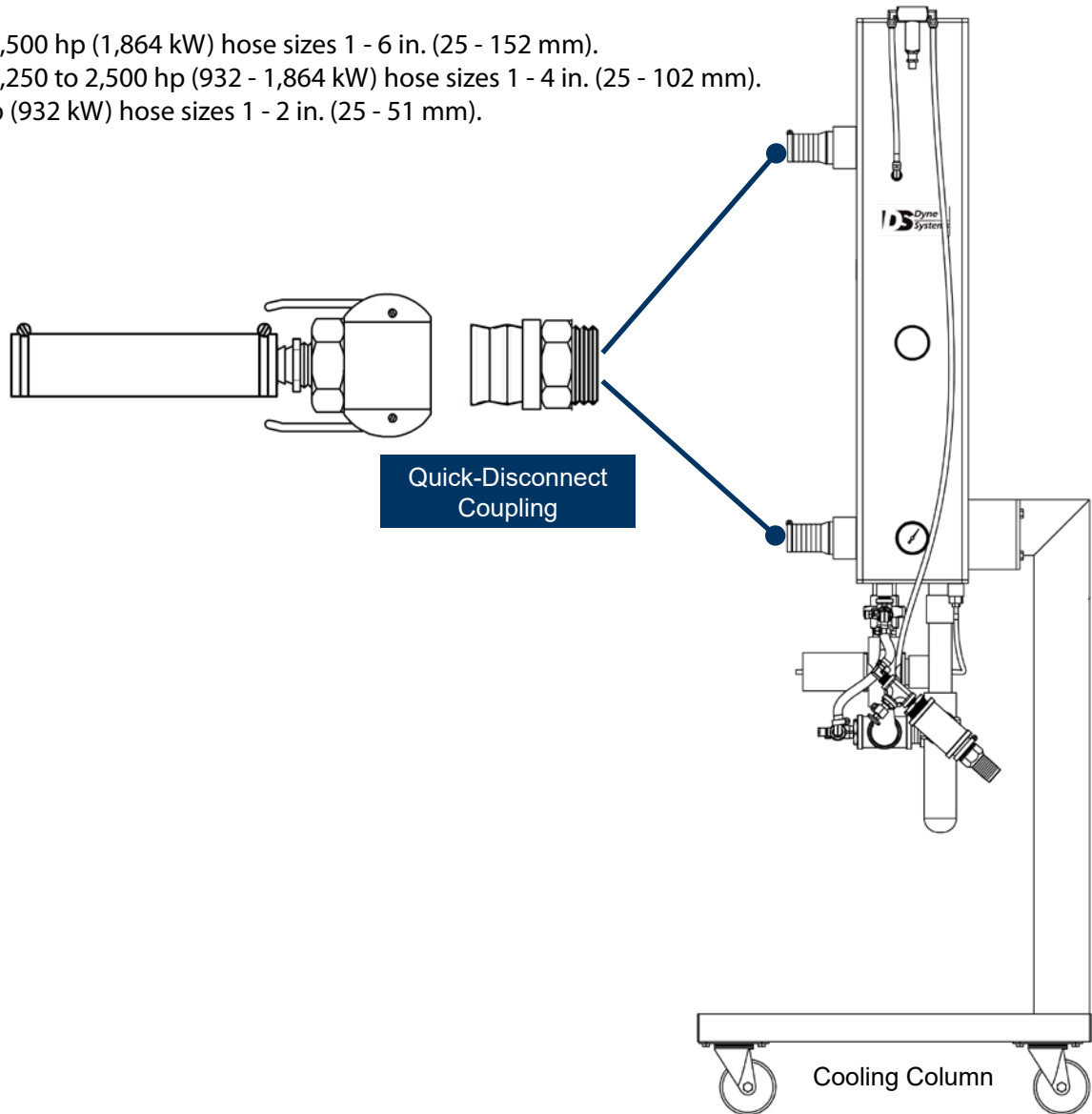


Hose Interconnect Kit / Engine Dynamometer

The Hose Interconnect Kits are specially designed for quick connect and disconnect between the engine and Dyne Systems' Cooling Column and/or Low Temperature Aftercooler. The 12-1/2 ft (3.81 m) hoses are secured to the engine's cooling water inlet and outlets with the supplied hose quick-disconnect couplings. The quick-disconnect ends are then attached to the Cooling Column's or Low Temperature Aftercooler's inlet and outlet hoses. A "wye" fitting is available for engines with dual outlet connections.

For Applications:

- Greater than 2,500 hp (1,864 kW) hose sizes 1 - 6 in. (25 - 152 mm).
- Greater than 1,250 to 2,500 hp (932 - 1,864 kW) hose sizes 1 - 4 in. (25 - 102 mm).
- Up to 1,250 hp (932 kW) hose sizes 1 - 2 in. (25 - 51 mm).



Everything you need to succeed