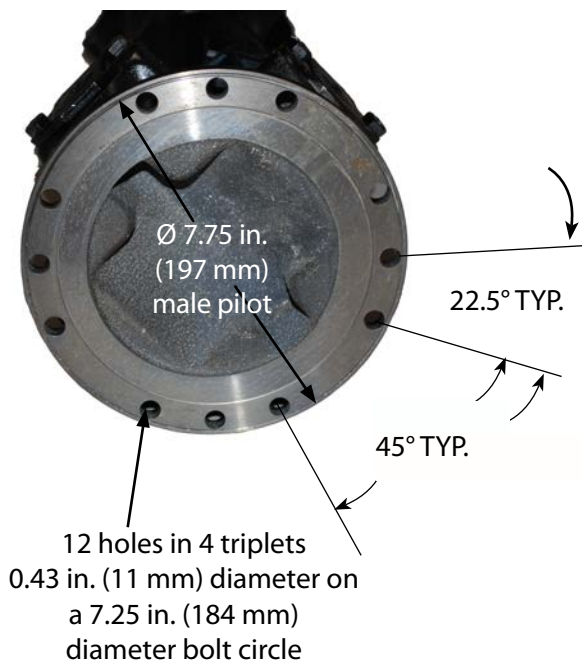


1810 Driveshaft / Engine Dynamometer

Specifications

- Maximum Recommended Continuous Torque 3,800 lb-ft (5,152 Nm) with no angular misalignment and $2^\circ \pm 1^\circ$ slope (parallel offset between 0.5 and 1.5 in. (13 and 40 mm))
- Maximum Recommended Load 6,500 lb-ft (8,800 Nm) with no angular misalignment and $2^\circ \pm 1^\circ$ slope (parallel offset between 0.5 and 1.5 in. (13 and 40 mm))
- Minimum Elastic Limit 12,000 lb-ft (16,260 Nm) represents the maximum torque load the universal joint will transmit instantaneously without brinelling bearings or yield in any part
- Maximum Allowable Speed 4,500 rpm
- Dynamically balanced
- Weight 100 lb (45 kg)



Everything you need to succeed