



12,000 lb Engine Cart System / Engine Dynamometer

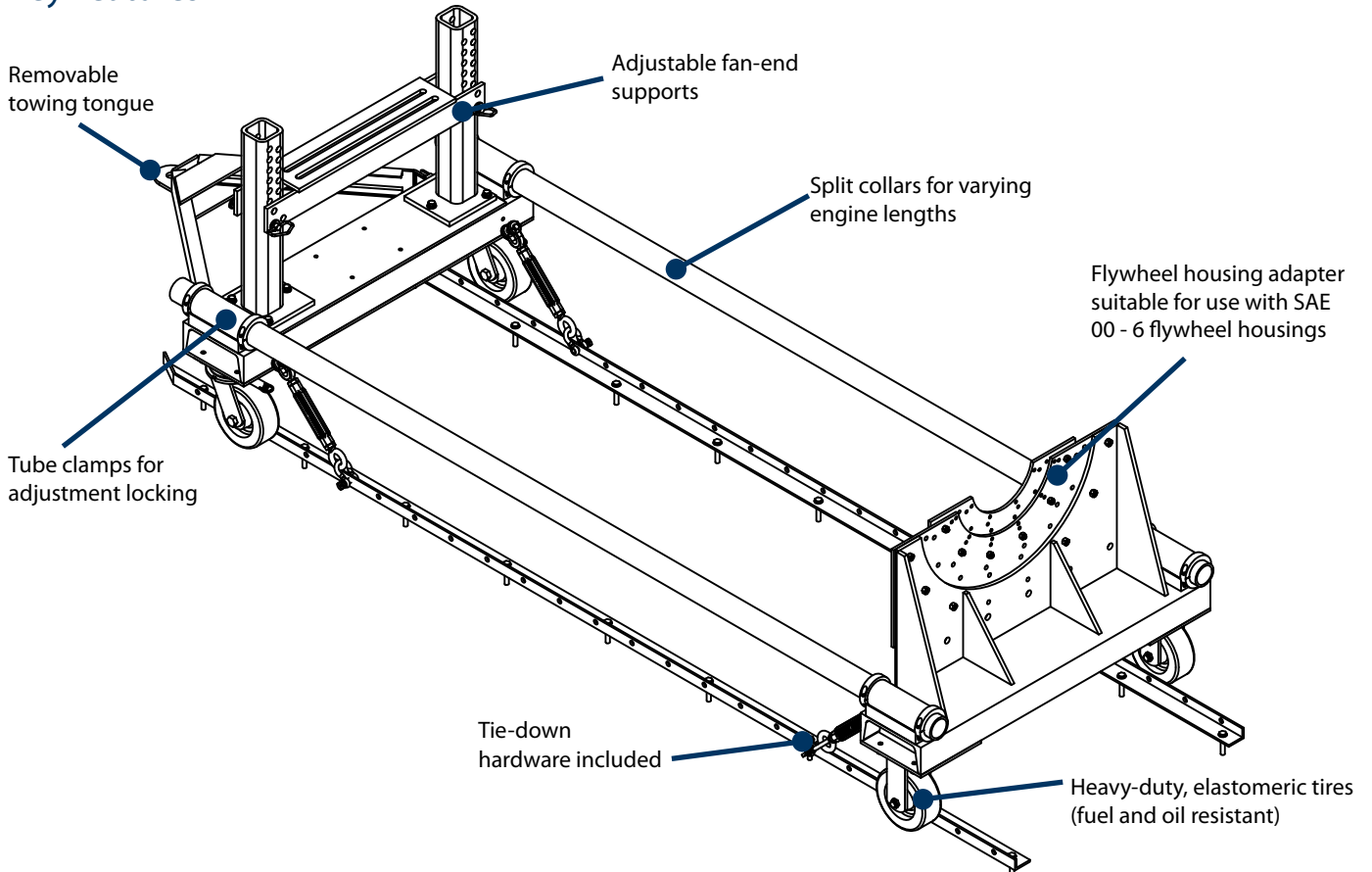


The 12,000 lb Engine Cart is engineered to provide a moveable, durable and easy-to-use method of engine mounting for dynamometer testing.

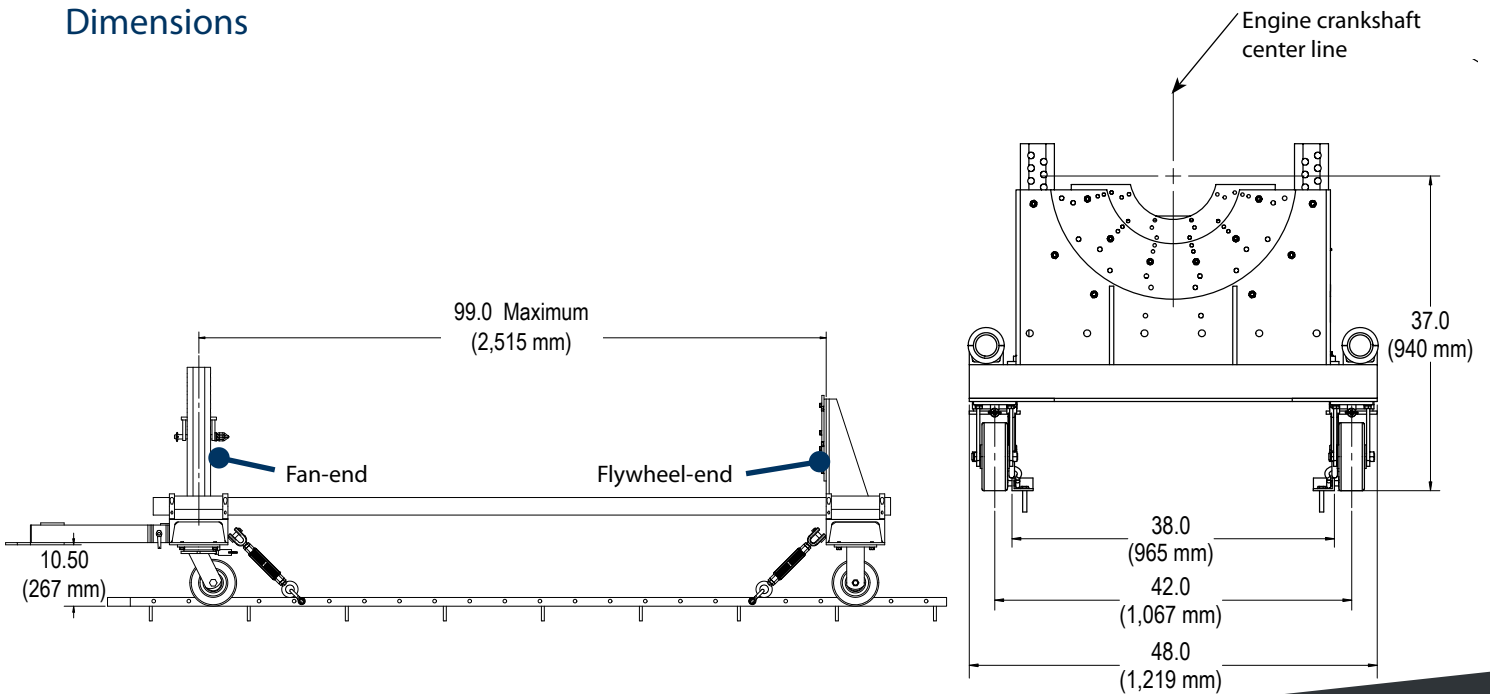
- Dead weight capacity 12,000 lb (5,443 kg)
- A spacer is required to mount the engine to the cart when the flywheel extends beyond the face of the housing
- Custom engine cart sizes available upon request

Everything you need to succeed

Key Features



Dimensions



Everything you need to succeed



Dyne Systems is a division of Taylor Dynamometer
 W209 N17391 Industrial Dr., Jackson, WI 53037
 (800) 657-0726 www.dynesystems.com

DS2705v001