



## 6,000 lb Engine Cart System / Engine Dynamometer

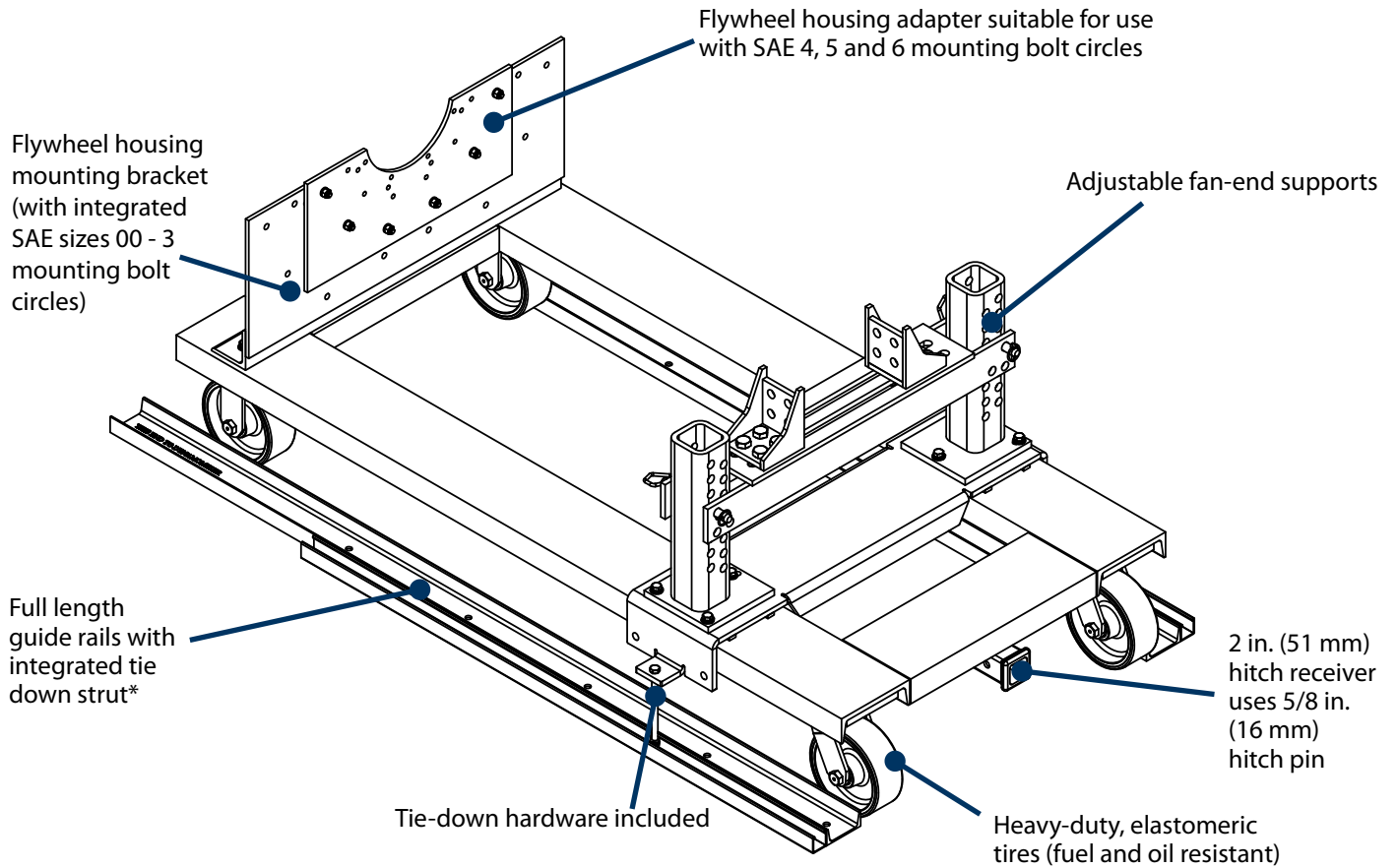


The 6,000 lb Engine Cart is engineered to provide a moveable, durable and easy-to-use method of engine mounting for dynamometer testing.

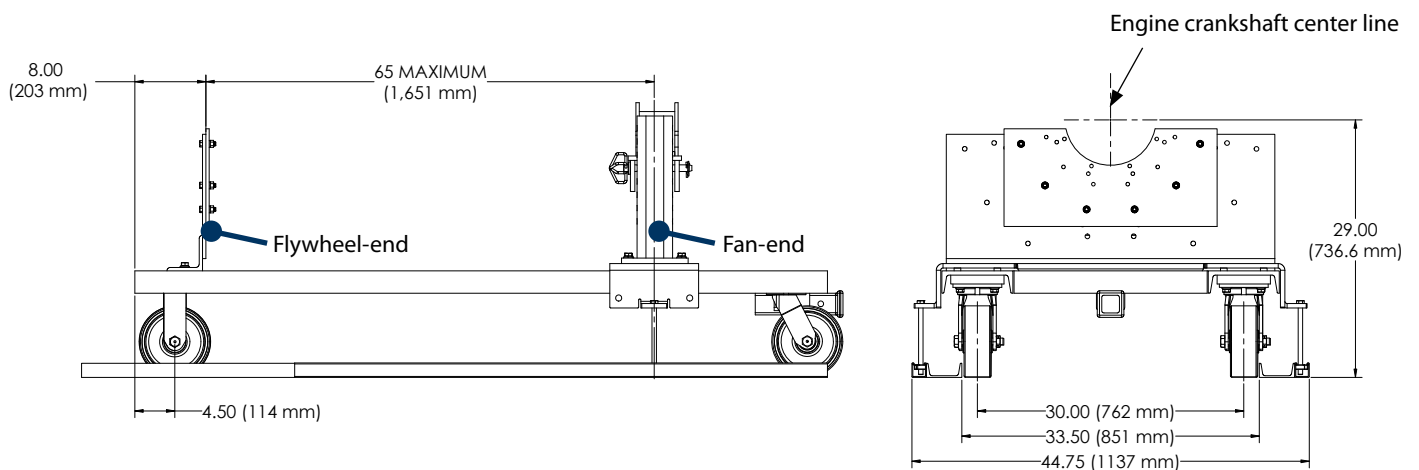
- Dead weight capacity 6,000 lb (2,721 kg)
- Custom engine cart sizes available upon request
- Mounting hardware\* not included 1/2 in. (13 mm) 3,000 lb (13 kN) pull-out strength floor anchors are recommended

***Everything you need to succeed***

## Key Features



## Dimensions



**Everything you need to succeed**



Dyne Systems is a division of Taylor Dynamometer  
 W209 N17391 Industrial Dr., Jackson, WI 53037  
 (800) 657-0726 [www.dynesystems.com](http://www.dynesystems.com)

DS2704v001