

## Tilt Table - 72 in. (1,829 mm) / Tables and Test Stands



### Specifications

Table top features five (5) parallel "T" slots

Table rotation via AC motor, drive, and actuator

Manual friction clamps to lock desired orientation

Absolute encoder included to assist with determining angle of rotation

Table Surface Rotation: +/- 20 degrees from horizontal

Maximum Weight Capacity: 1,000 lb (454 kg)

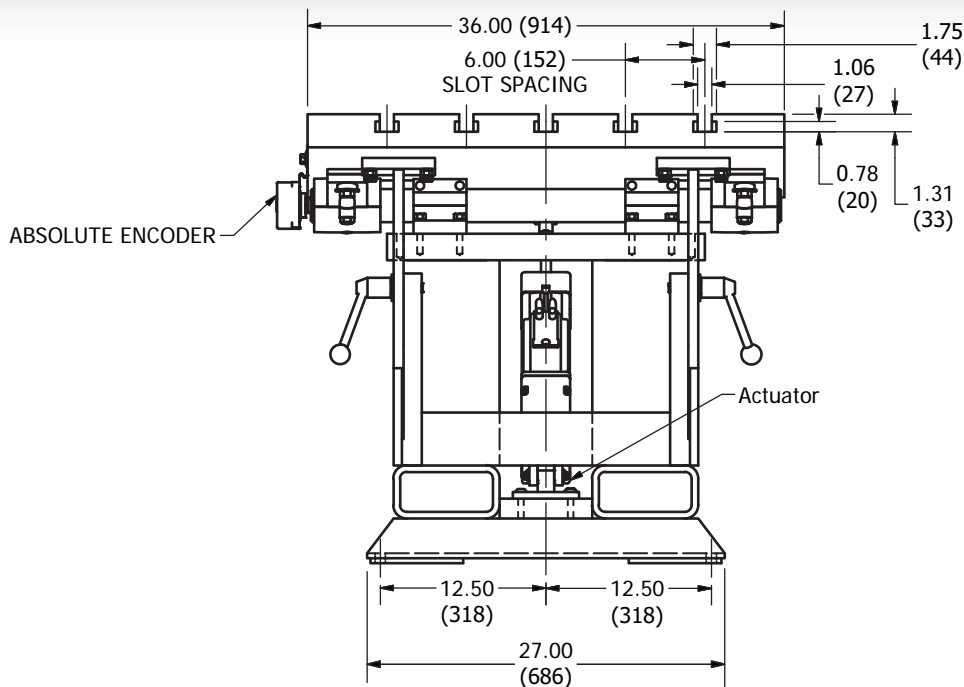
Table Surface Dimensions: 36 x 72 in. (914 x 1,829 mm)

Footprint of Unit Base: 27 x 36 in. (686 x 914 mm)

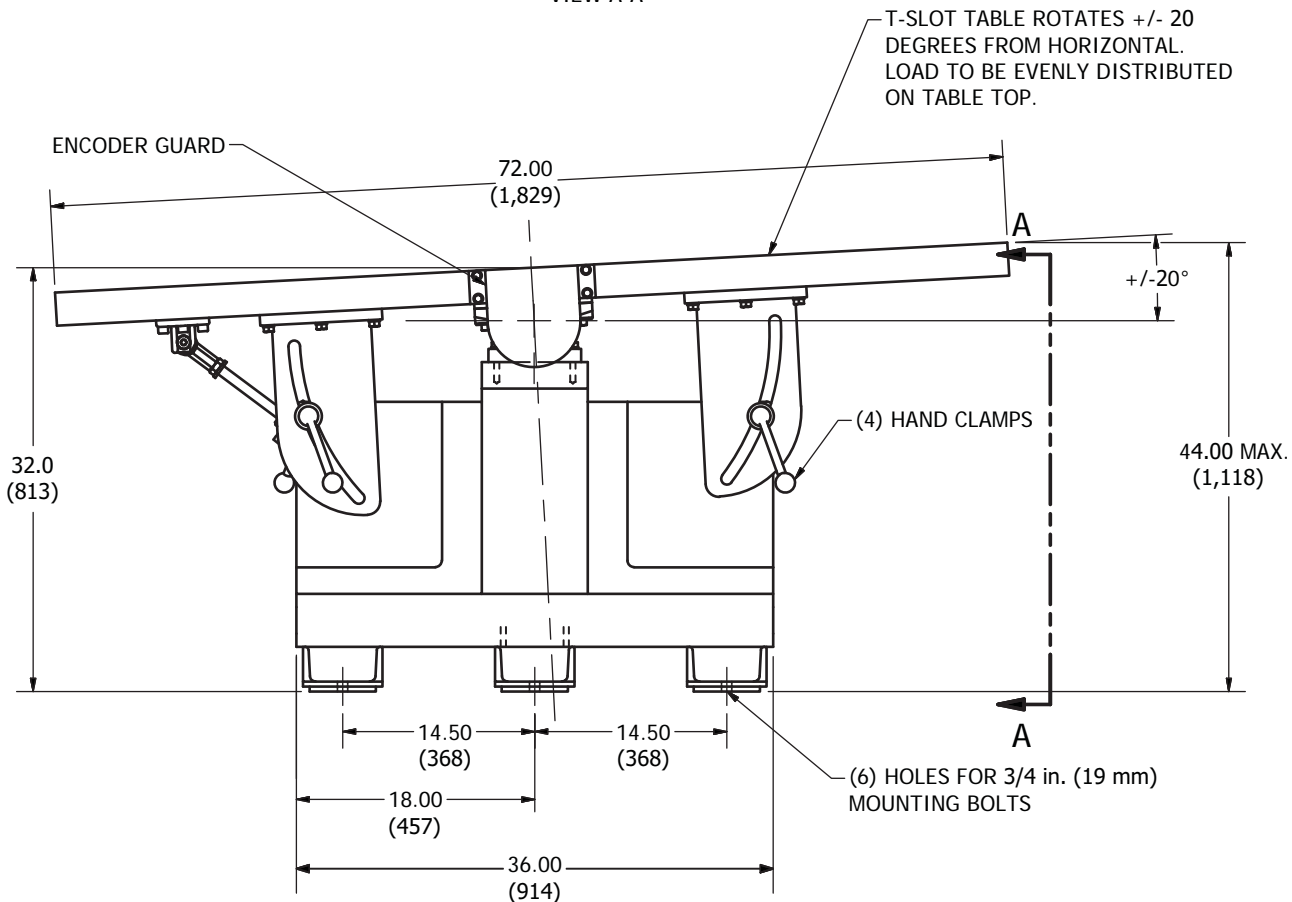
Weight of Unit: 3,000 lb (1,361 kg)

Power Requirements: 480 VAC / 8.0 amp

in.  
(mm)



VIEW A-A



MAX TILT IS +/- 20°  
MAX WEIGHT THAT CAN BE PLACED ON T-SLOT IS 1000 LB (453.6 kg)

**Everything you need to succeed**



Dyne Systems is a division of Taylor Dynamometer  
W209 N17391 Industrial Dr., Jackson, WI 53037  
(800) 657-0726 [www.dynesystems.com](http://www.dynesystems.com)

DS9501v001