

Tilt Table - 60 in. (1,524 mm) / Tables and Test Stands

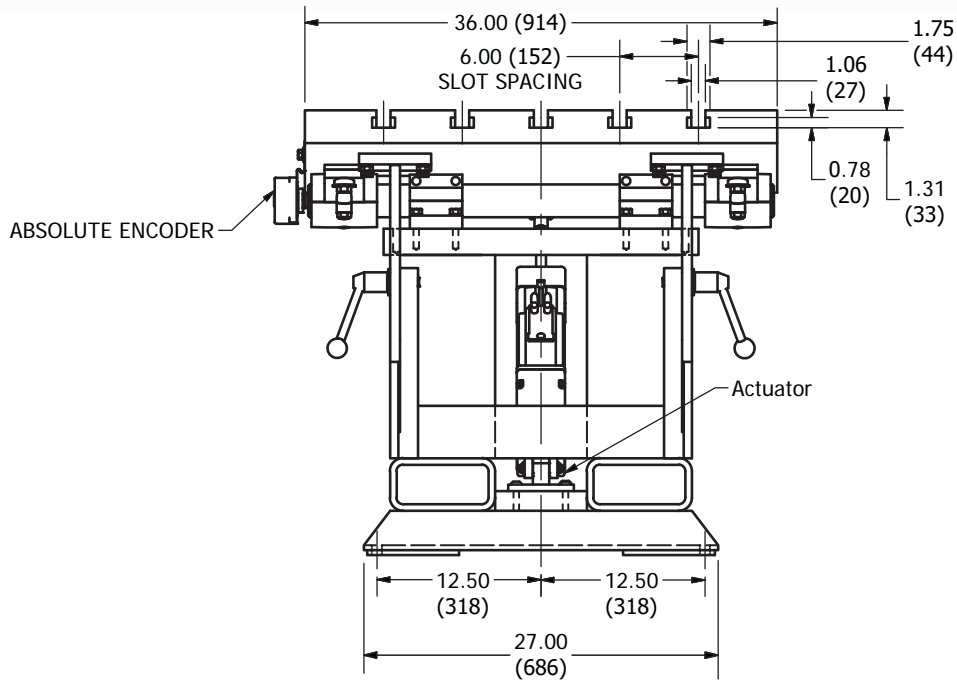


The Tilt Table allows for a Device Under Test (DUT) to be orientated at various angles of incline or decline. This can assist in the simulation of extreme conditions to evaluate the performance of components such as transmissions/gearboxes.

Specifications

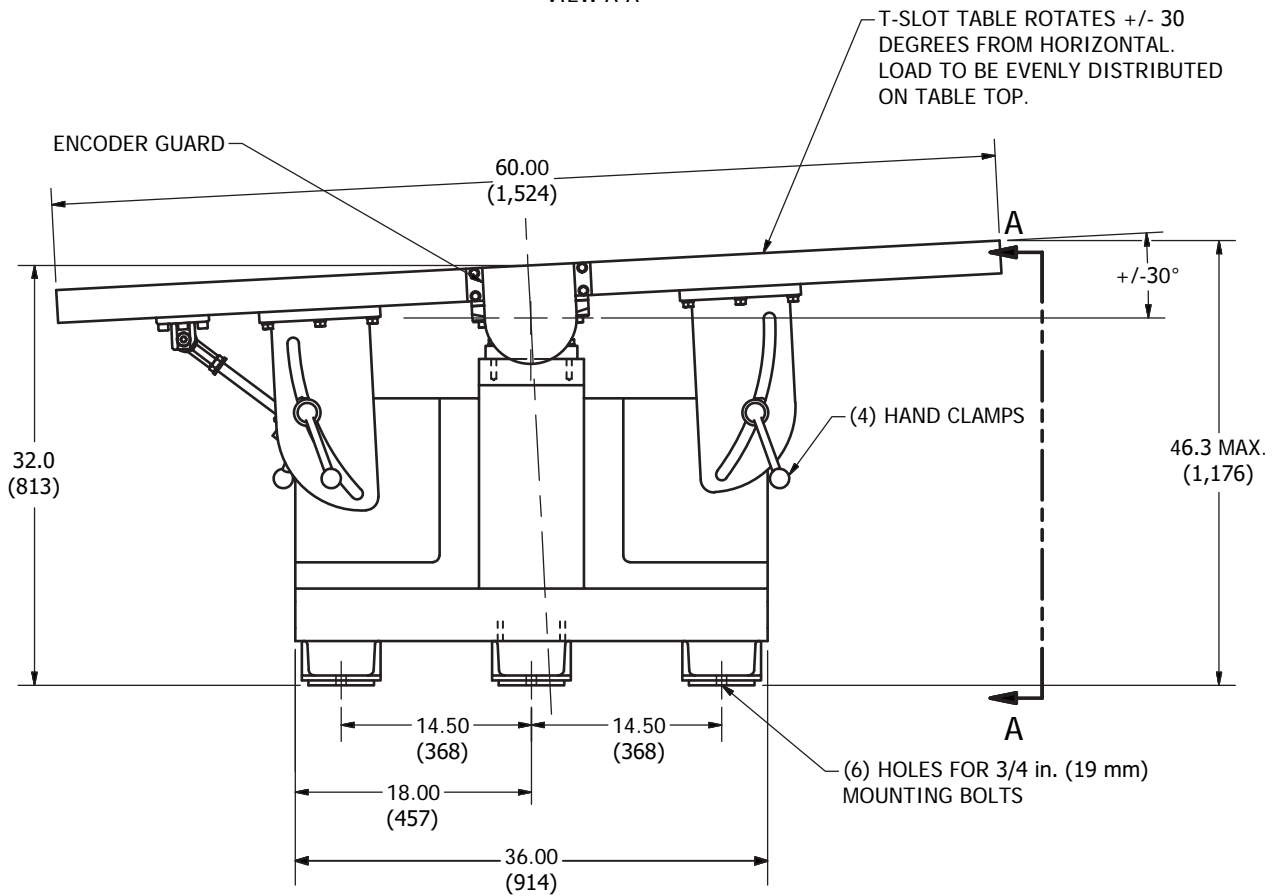
- Table top features five (5) parallel "T" slots
- Table rotation via AC motor, drive, and actuator
- Manual friction clamps to lock desired orientation
- Absolute encoder included to assist with determining angle of rotation

Table Surface Rotation:	+/- 30 degrees from horizontal
Maximum Weight Capacity:	1,000 lb (454 kg)
Table Surface Dimensions:	36 x 60 in. (914 x 1,524 mm)
Footprint of Unit Base:	27 x 36 in. (686 x 914 mm)
Weight of Unit:	2,700 lb (1,225 kg)
Power Requirements:	480 VAC / 8.0 amp



in.
(mm)

VIEW A-A



MAX TILT IS +/- 30°
MAX WEIGHT THAT CAN BE PLACED ON T-SLOT IS 1000 LB (453.6 kg)

Everything you need to succeed



Dyne Systems is a division of Taylor Dynamometer
W209 N17391 Industrial Dr., Jackson, WI 53037
(800) 657-0726 www.dynesystems.com

DS9500v002