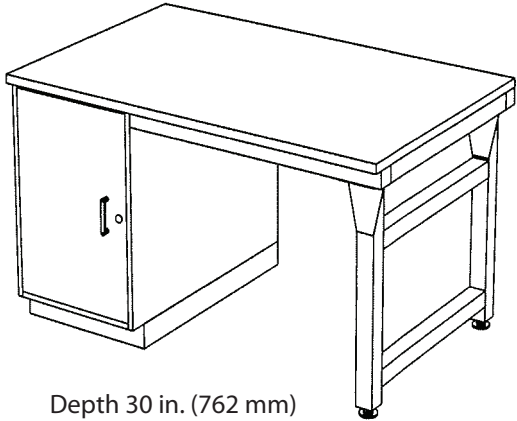




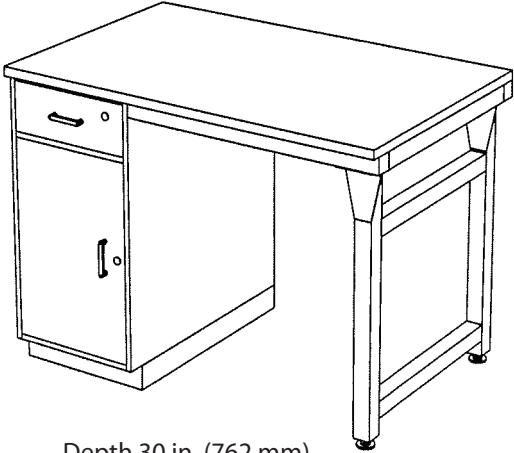
Work Table Features Include:

- Industrial-grade, stainless steel top
- 2 in. (51 mm) furniture grade tubing
- Black wrinkle, powder coat finish
- All-steel ball bearing drawer slides
- Drawers extend 100% for full use
- Drawer locks
- 4 sizes to choose from (see next page)
- Ships unassembled; customer to assemble
- Drilling required to attach top cabinet to side

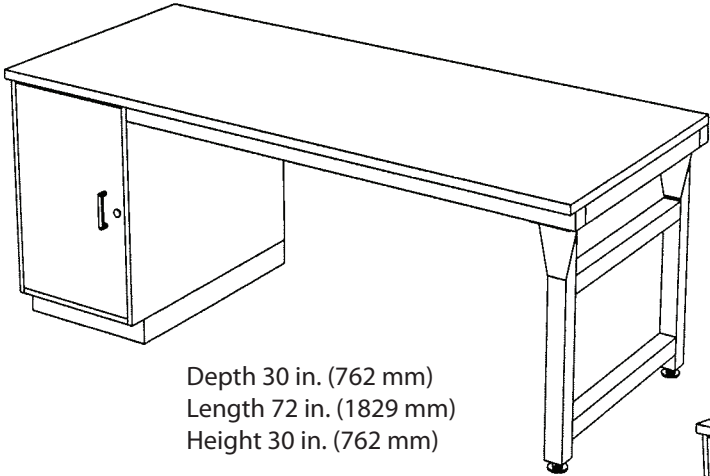
Work Table Available Sizes:



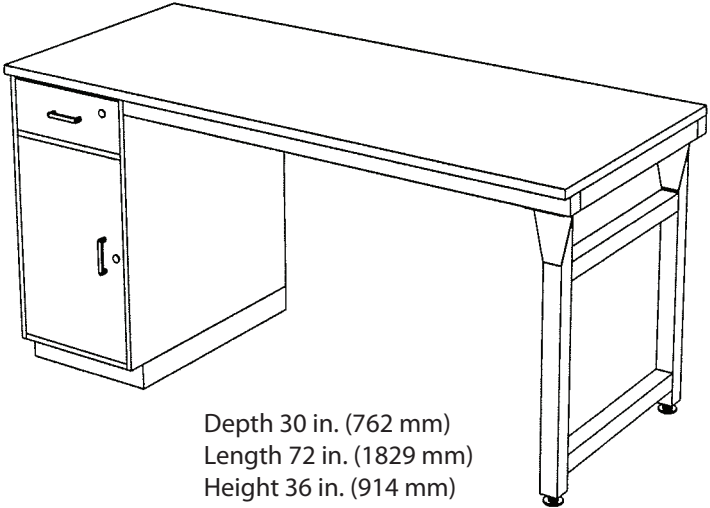
Depth 30 in. (762 mm)
Length 48 in. (1219 mm)
Height 30 in. (762 mm)



Depth 30 in. (762 mm)
Length 48 in. (1219 mm)
Height 36 in. (914 mm)



Depth 30 in. (762 mm)
Length 72 in. (1829 mm)
Height 30 in. (762 mm)



Depth 30 in. (762 mm)
Length 72 in. (1829 mm)
Height 36 in. (914 mm)

Everything you need to succeed



Dyne Systems is a division of Taylor Dynamometer
W209 N17391 Industrial Dr., Jackson, WI 53037
(800) 657-0726 www.dynesystems.com