

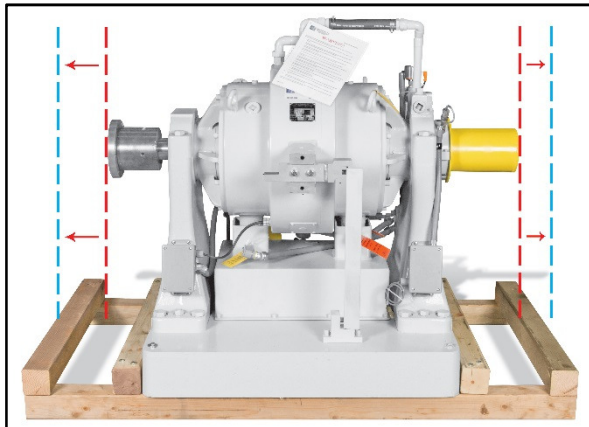
The following is a quick summary of how to package an eddy current dynamometer for shipment:

1. Make sure the shafts end are within the outer edge of the skid, refer to picture #1.
2. Disconnect the load cell and insert safety bar, refer to picture #2.
3. Drain all water passages on the dynamometer. If a dry gap use compressed air to force excess water out of the cavities.
4. Bolt the unit to a hardwood skid, refer to picture #3.

After packaging has been completed, the following information will be needed by Dyne Systems to arrange pickup:

1. Overall dimensions of skid (length x width x height)
2. Weight of the entire shipment including skid. Dyne Systems can help with the dynamometer weight if not known.
3. Address of pickup.
4. Shipping hours.

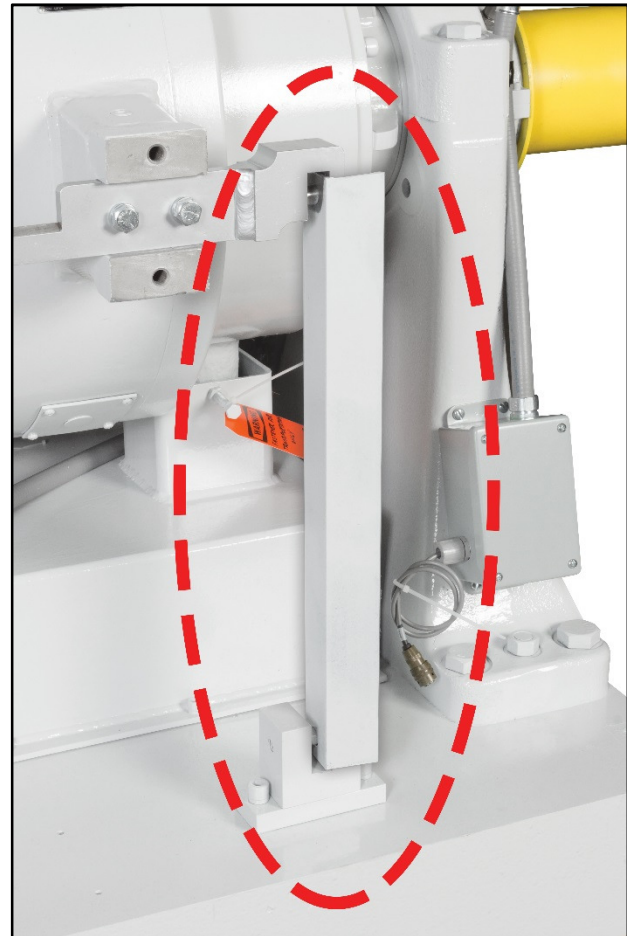
If arranging transit, be sure to use an air-ride carrier. Ship To: Dyne Systems, Inc. / W209N17391 Industrial Drive / Jackson. WI 53037



Picture 1



Picture 3



Picture 2