



## DM-8152 / Engine Dynamometer



Example Model Shown  
(Image may not depict all standard  
included components)

## DM-8152 Eddy Current Dynamometer

### Specifications

|                                 |  |
|---------------------------------|--|
| Power:                          | 800 hp (597 kW)                                  |
| Max Torque at Base Speed:       | 2,626 lb-ft (3,560 Nm)                           |
| Base Speed:                     | 1,600 rpm  |
| Max. Speed:                     | 4,000 rpm  |
| Construction Type:              | Wet Gap  |
| Rotor Inertia:                  | 124 lb-ft <sup>2</sup> (5.23 kg-m <sup>2</sup> ) |
| Coolant Required at Max. Power: | 80 gpm (302.8 lpm)                               |
| Coolant Inlet (Min-Max):        | 55-100 psi (378-689 kPa)                         |
| Coolant Inlet Temperature Max:  | 90°F (32.2°C)                                    |
| Shipping Weight (estimate):     | 4,600 lb (2,087 kg)                              |
| Companion Flange / Hub Pattern: | 1810 - US Customary                              |
| Coil Voltage / Hot Amperage:    | 90V / 11.2 amps                                  |

### Recommended Accessories

- Driveshaft - 1810
- Torsional Coupling - 1810
- Flywheel Adapter Plate Kit
- Driveshaft Guard
- Sub-Base Kit
- Engine Cart
- Air or Electric Starter
- Engine Cooling Column
- Charge Air Cooler
- Water Recirculating System

***Everything you need to succeed***

## Optional Accessories



Optional Manual Shaft Lock



Optional Closed Loop Cooling Center



Optional Charge Air Cooler



Optional Driveshaft Guard



Optional Engine Cart

---

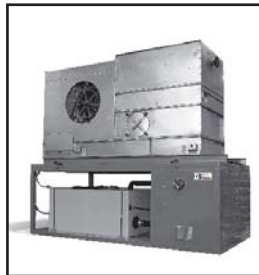
## Various Facility Support Systems and Services Available



Bulk Fuel Storage and Distribution



Coolant Storage and Distribution



Water Recirculation

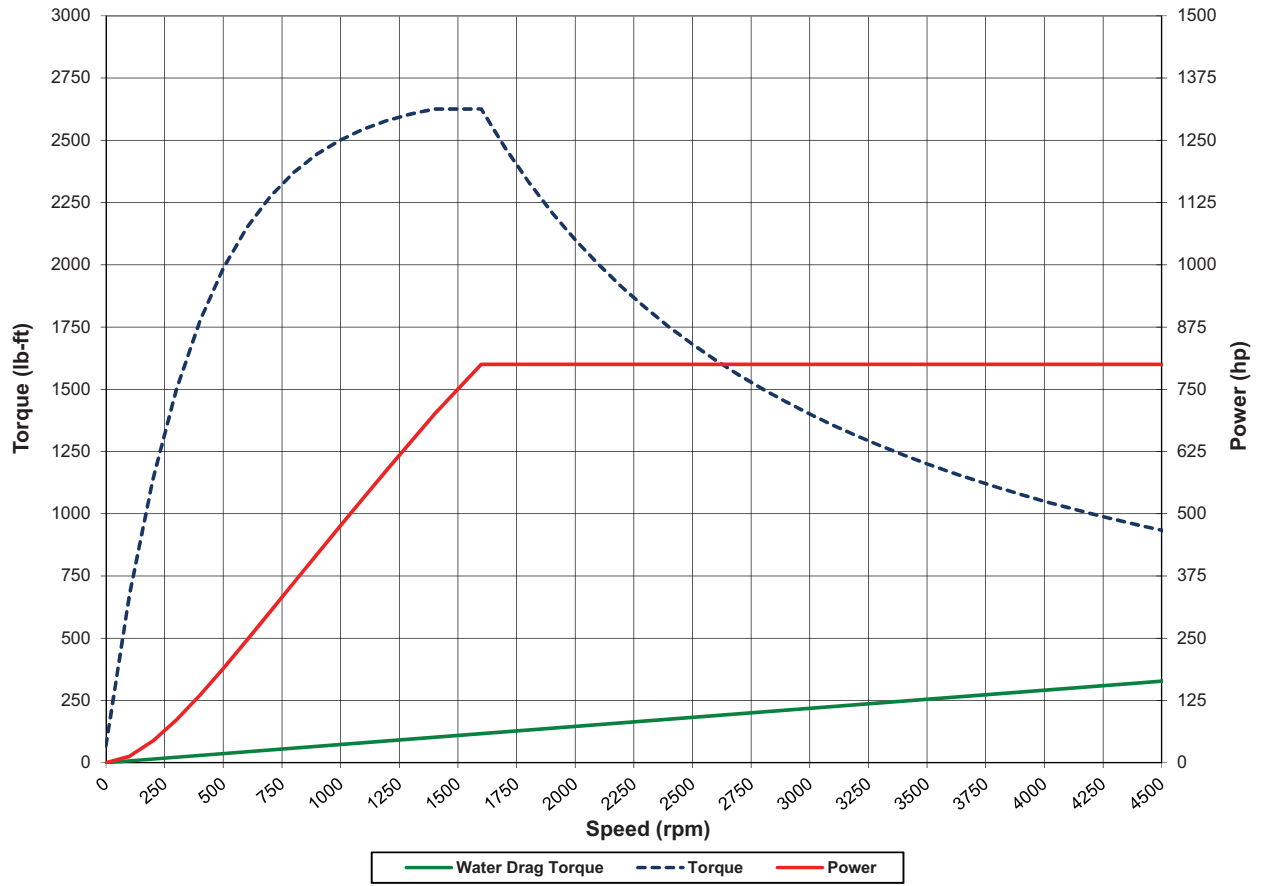


Design, Project & Construction Management Services

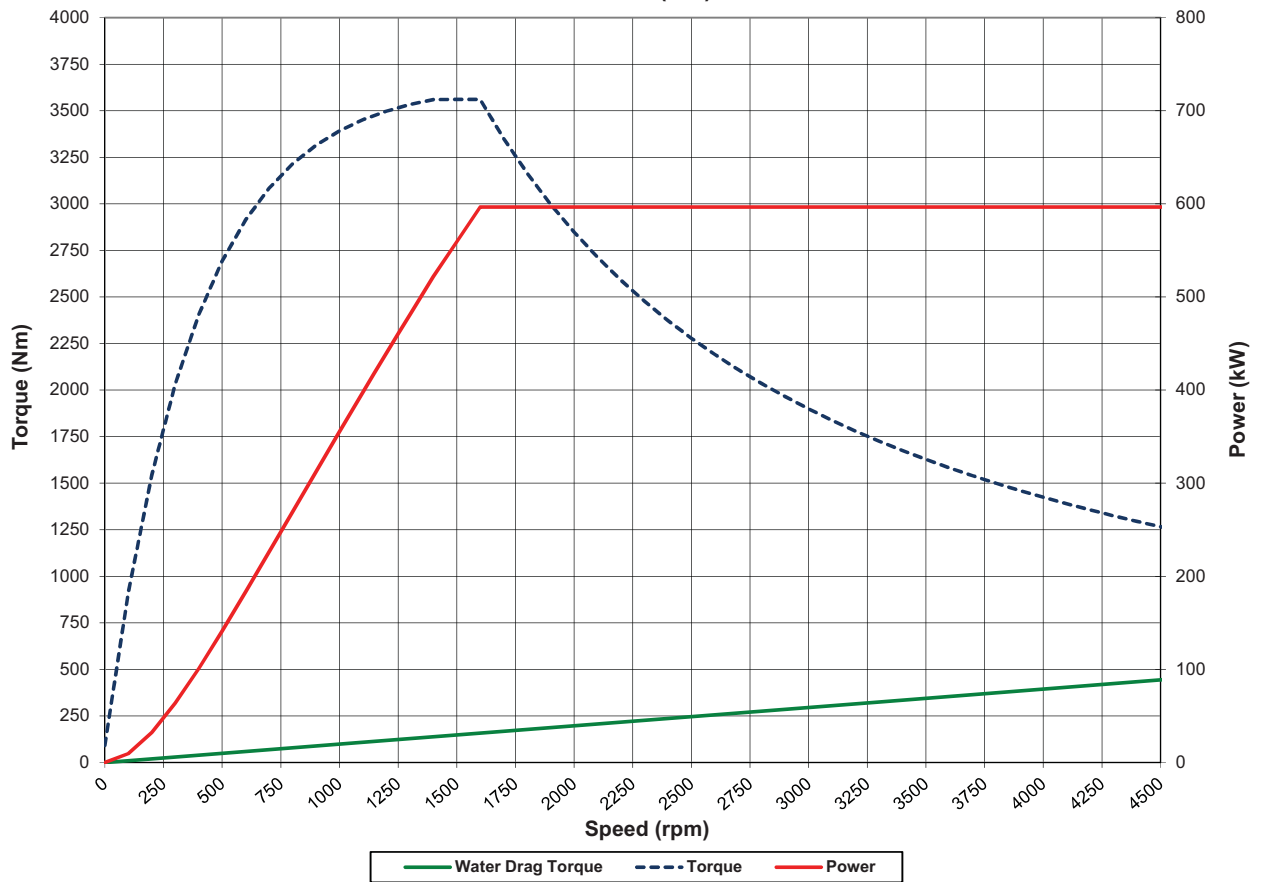


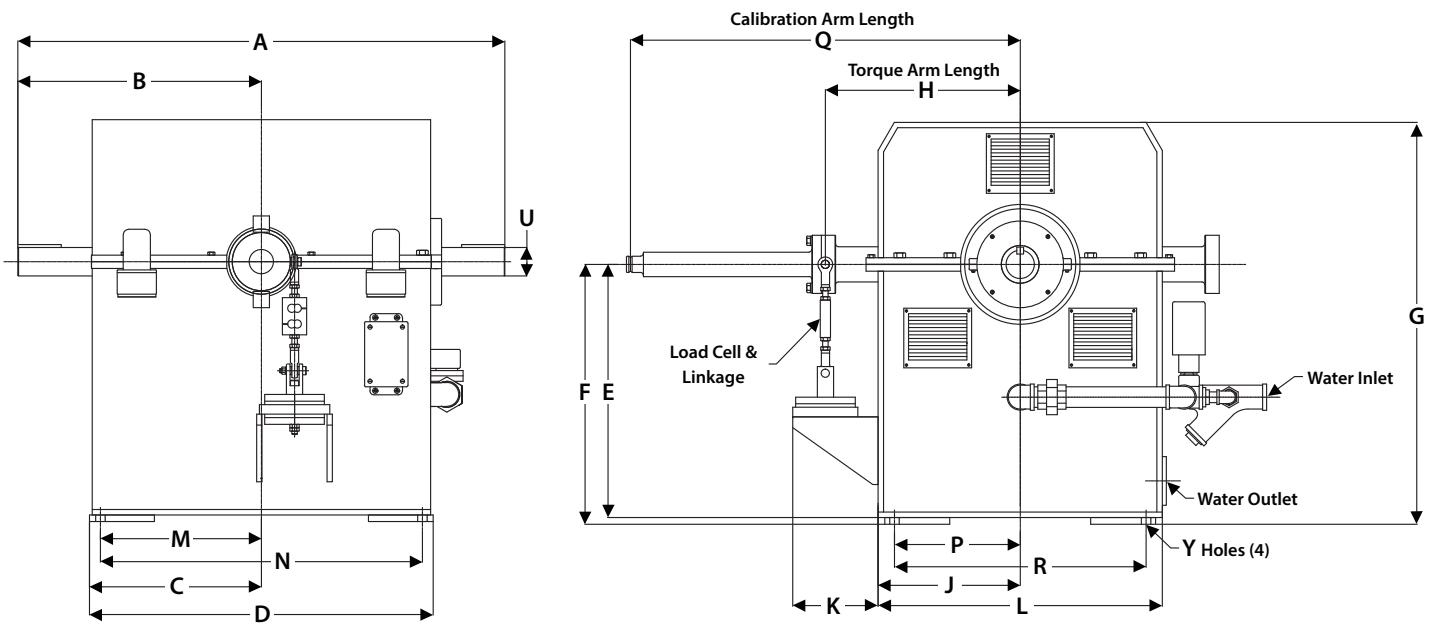
Commissioning, Start-up & Training

### DM-8152 (US Customary)



### DM-8152 (S.I.)





Note: Shown without companion flange

| Units               | A     | B     | C     | D     | E     | F   | G     | H   | J     |
|---------------------|-------|-------|-------|-------|-------|-----|-------|-----|-------|
| <b>US Customary</b> | 52.75 | 26.38 | 17.67 | 35.34 | 27.25 | 28  | 46.8  | 21  | 16.81 |
| <b>S.I.</b>         | 1,340 | 670   | 449   | 898   | 692   | 711 | 1,189 | 533 | 427   |

| Units               | K    | L     | M     | N     | P     | Q   | R     | U     | Y    |
|---------------------|------|-------|-------|-------|-------|-----|-------|-------|------|
| <b>US Customary</b> | 7.88 | 33.62 | 16.63 | 33.25 | 11.62 | 36  | 23.25 | 3.375 | 1.12 |
| <b>S.I.</b>         | 200  | 854   | 422   | 845   | 295   | 914 | 591   | 86    | 28   |

(All dimensions are for new OEM supplied units)

## Standard Included Components

- Load Cell and Linkage
- Cooling Safety Package
- Calibration Arm
- Calibration Weight Hanger
- Companion Flange / Hub Pattern 1810 - US Customary
- Shaft End Guard
- Magnetic Pickup and 60-tooth Gear
- Constant Level Oilers

*Everything you need to succeed*



Dyne Systems is a division of Taylor Dynamometer  
 W209 N17391 Industrial Dr., Jackson, WI 53037  
 (800) 657-0726 [www.dynesystems.com](http://www.dynesystems.com)

DS2388v002