



## DM-8100 / Engine Dynamometer



Example Model Shown  
(Image may not depict all standard included components)

## DM-8100 Eddy Current Dynamometer

### Specifications

Power:	200 hp (149 kW)
Max Torque at Base Speed:	584 lb-ft (791 Nm)
Base Speed:	1,800 rpm
Max. Speed:	6,000 rpm
Construction Type:	Dry Gap
Rotor Inertia:	17.7 lb-ft <sup>2</sup> (0.75 kg-m <sup>2</sup> )
Coolant Required at Max. Power:	20 gpm (75.7 lpm)
Coolant Inlet (Min-Max):	55-100 psi (378-689 kPa)
Coolant Inlet Temperature Max:	90°F (32.2°C)
Shipping Weight (estimate):	2,200 lb (998 kg)
Companion Flange / Hub Pattern:	1550 - US Customary
Coil Voltage / Hot Amperage:	90V / 7.3 amps

### Recommended Accessories

- Driveshaft - 1550
- Torsional Coupling - 1550
- Flywheel Adapter Plate Kit
- Driveshaft Guard
- Sub-Base Kit
- Engine Cart
- Air or Electric Starter
- Charge Air Cooler
- Water Recirculating System

***Everything you need to succeed***

# Optional Accessories



Optional Manual Shaft Lock



Optional Closed Loop Cooling Center



Optional Charge Air Cooler



Optional Driveshaft Guard



Optional Engine Cart

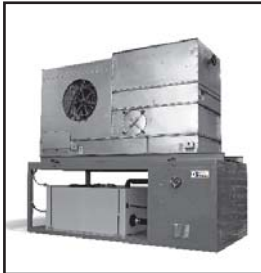
# Various Facility Support Systems and Services Available



Bulk Fuel Storage and Distribution



Coolant Storage and Distribution



Water Recirculation

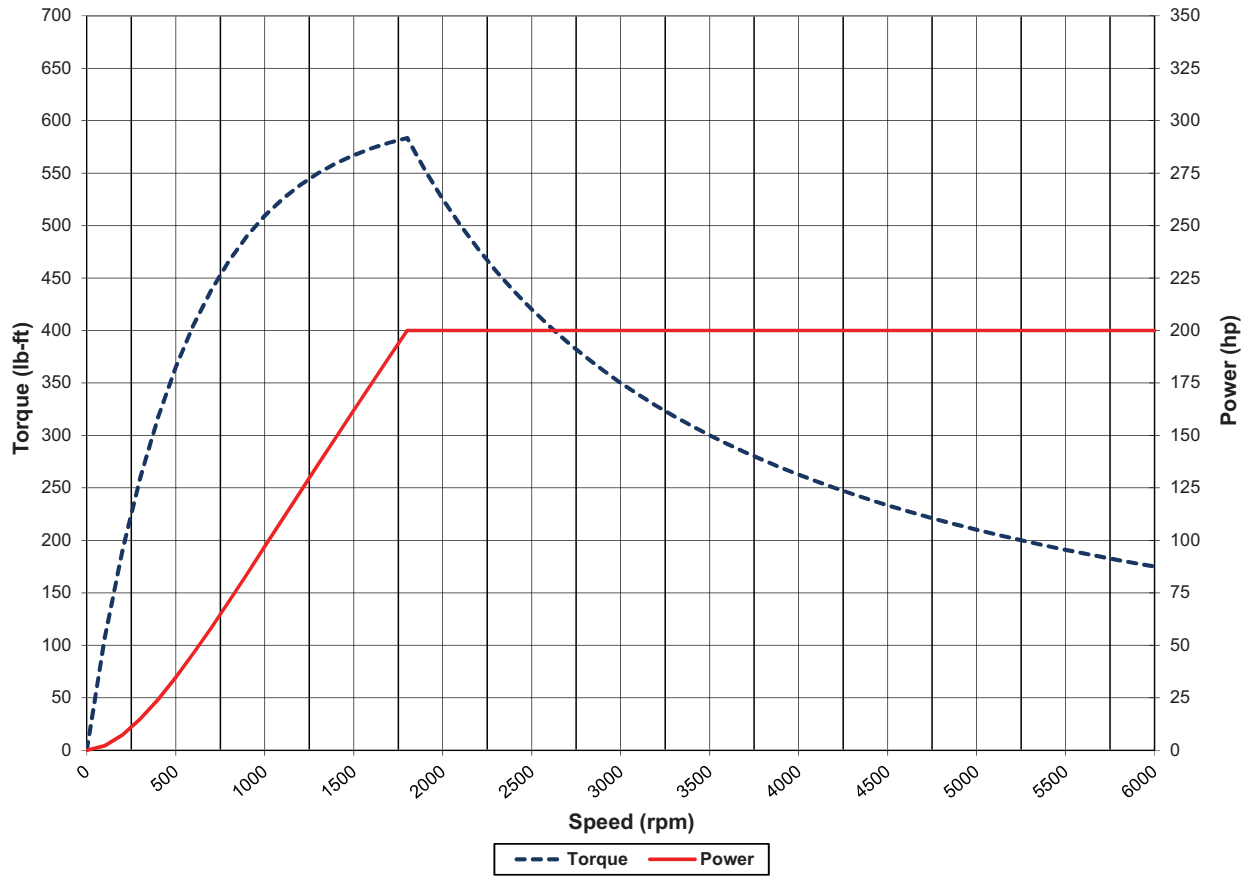


Design, Project & Construction Management Services

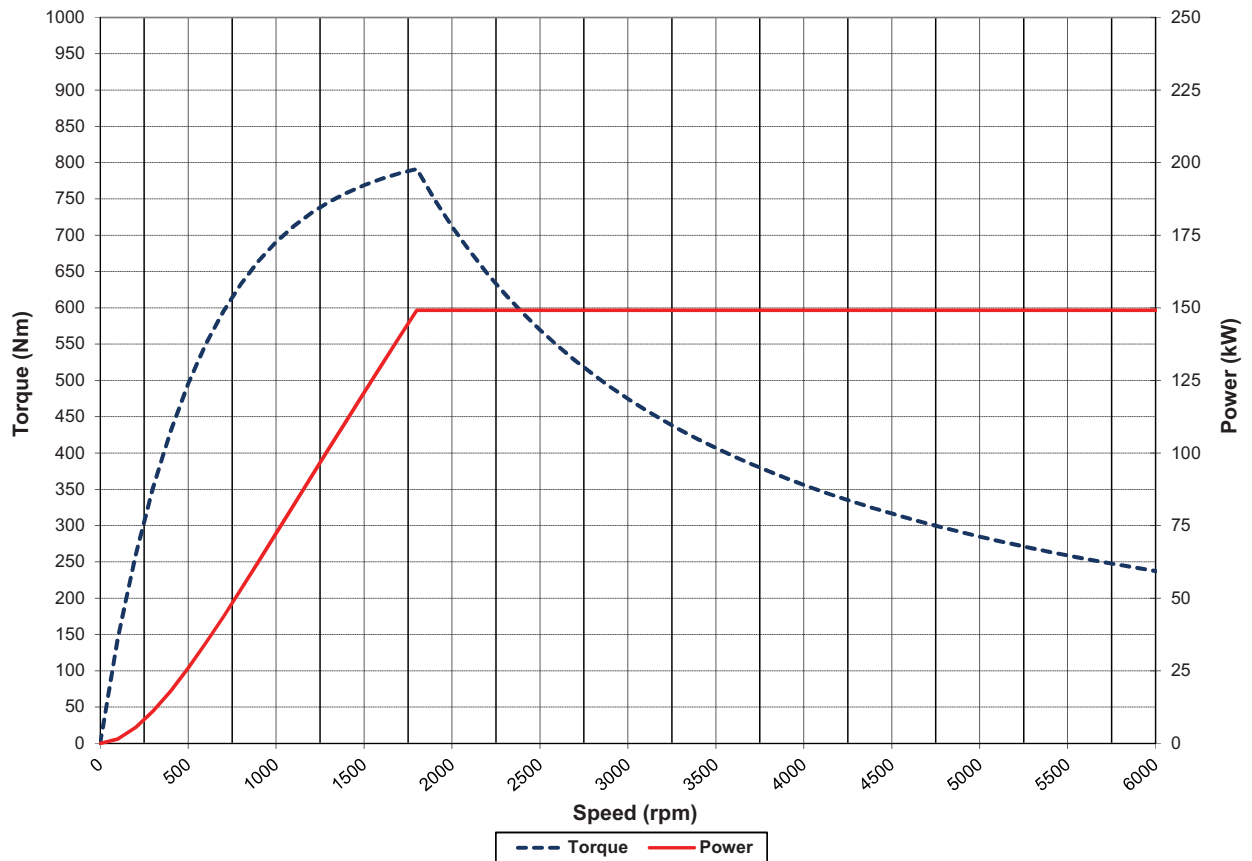


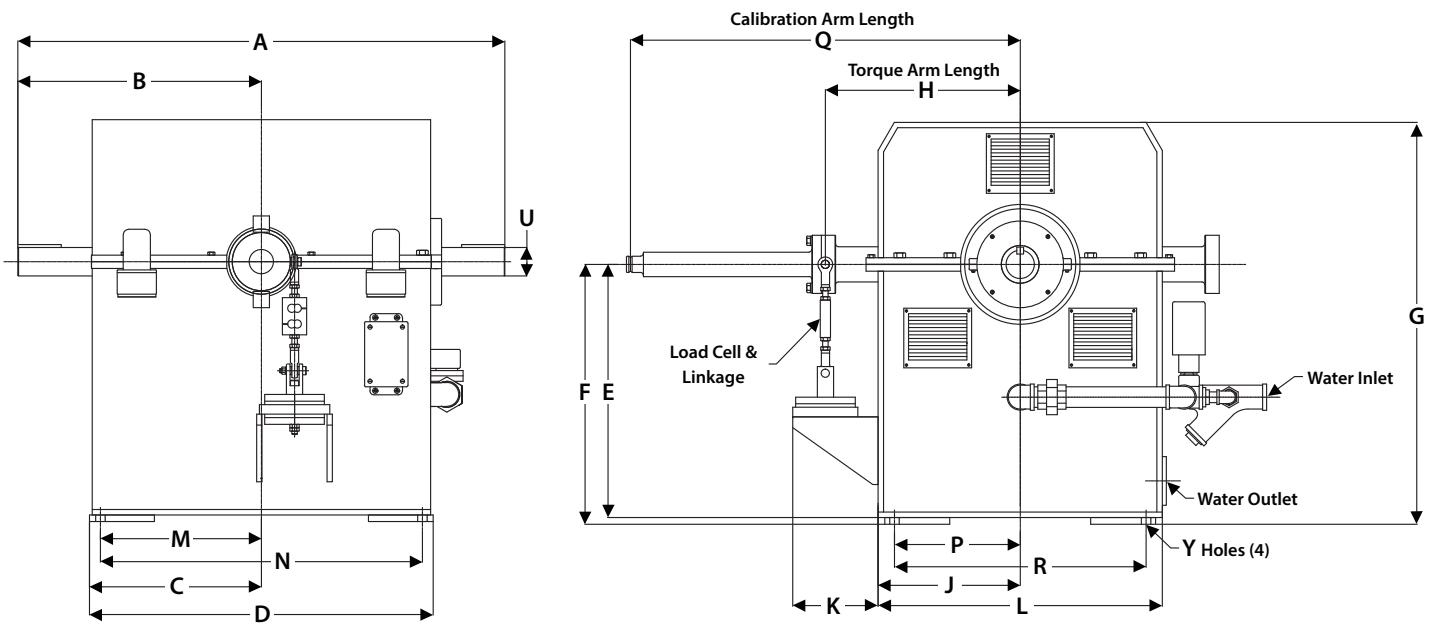
Commissioning, Start-up & Training

### DM-8100 (US Customary)



### DM-8100 (S.I.)





Note: Shown without companion flange

Units	A	B	C	D	E	F	G	H	J
<b>US Customary</b>	39	19.5	13.75	27.5	18.88	20	31.6	15	11.6
<b>S.I.</b>	991	495	349	699	480	508	803	381	295

Units	K	L	M	N	P	Q	R	U	Y
<b>US Customary</b>	5.15	23.2	12.75	25.5	9.5	30	19	2.25	0.88
<b>S.I.</b>	131	589	324	648	241	762	483	57	22

(All dimensions are for new OEM supplied units)

## Standard Included Components

- Load Cell and Linkage
- Cooling Safety Package
- Calibration Arm
- Calibration Weight Hanger
- Companion Flange / Hub Pattern 1550 - US Customary
- Shaft End Guard
- Magnetic Pickup and 60-tooth Gear
- Constant Level Oilers

*Everything you need to succeed*



Dyne Systems is a division of Taylor Dynamometer  
 W209 N17391 Industrial Dr., Jackson, WI 53037  
 (800) 657-0726 [www.dynesystems.com](http://www.dynesystems.com)

DS2367v002