



## DM-8063 / Engine Dynamometer



Example Model Shown  
(Image may not depict all standard included components)

## DM-8063 Eddy Current Dynamometer

### Specifications

Power:	220 hp (164 kW)
Max Torque at Base Speed:	159 lb-ft (216 Nm)
Base Speed:	7,250 rpm
Max. Speed:	12,000 rpm
Construction Type:	Wet Gap
Rotor Inertia:	1.4 lb-ft <sup>2</sup> (0.06 kg-m <sup>2</sup> )
Coolant Required at Max. Power:	22 gpm (83.3 lpm)
Coolant Inlet (Min-Max):	55-100 psi (378-689 kPa)
Coolant Inlet Temperature Max:	90°F (32.2°C)
Shipping Weight (estimate):	350 lb (159 kg)
Companion Flange / Hub Pattern:	1310 - US Customary
Coil Voltage / Hot Amperage:	45V / 5.49 amps

### Recommended Accessories

- Driveshaft - 1310
- Torsional Coupling - 1310
- Flywheel Adapter Plate Kit
- Driveshaft Guard
- Sub-Base Kit
- Engine Cart
- Air or Electric Starter
- Charge Air Cooler
- Water Recirculating System

***Everything you need to succeed***

## Optional Accessories



Optional Manual Shaft Lock



Optional Closed Loop Cooling Center



Optional Charge Air Cooler



Optional Driveshaft Guard



Optional Engine Cart

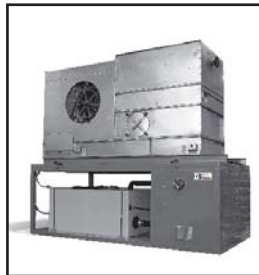
## Various Facility Support Systems and Services Available



Bulk Fuel Storage and Distribution



Coolant Storage and Distribution



Water Recirculation

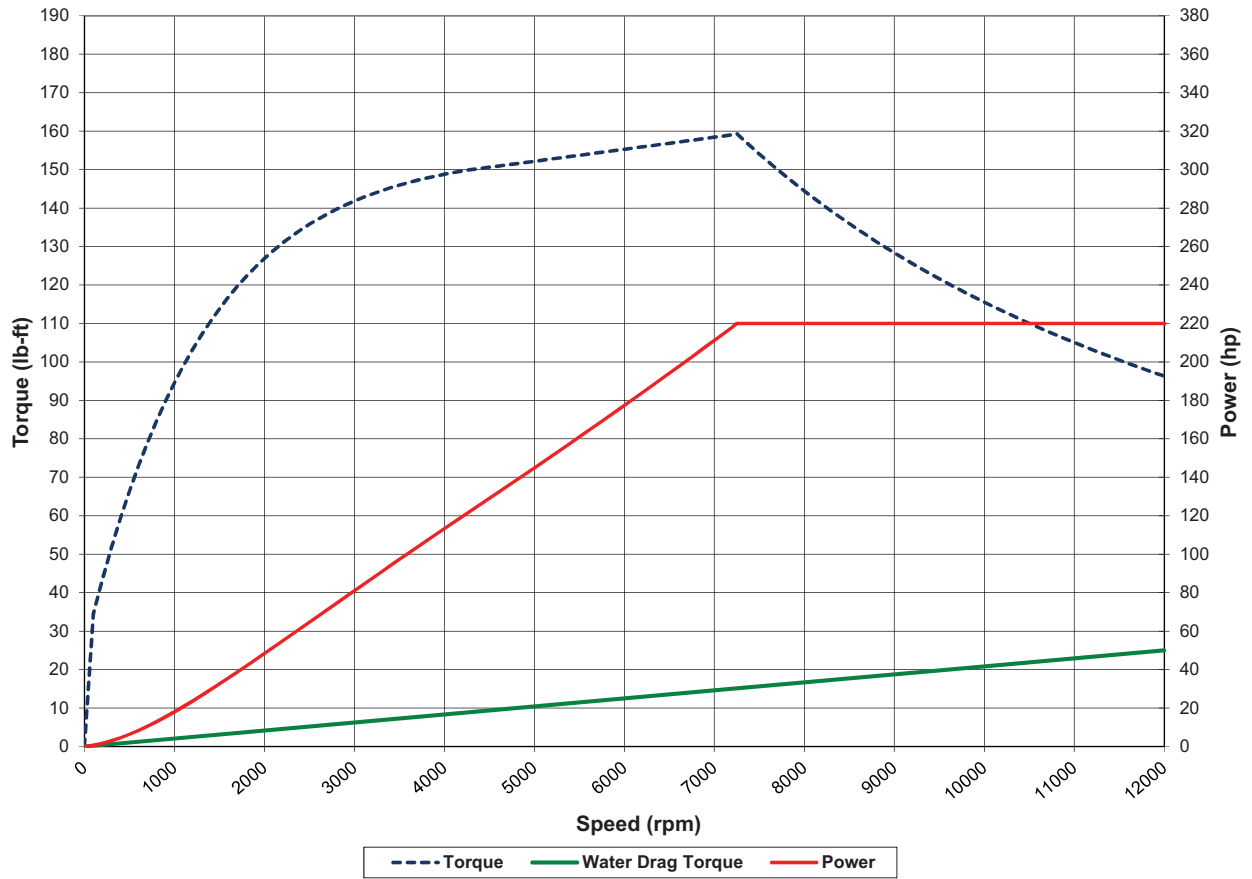


Design, Project & Construction Management Services

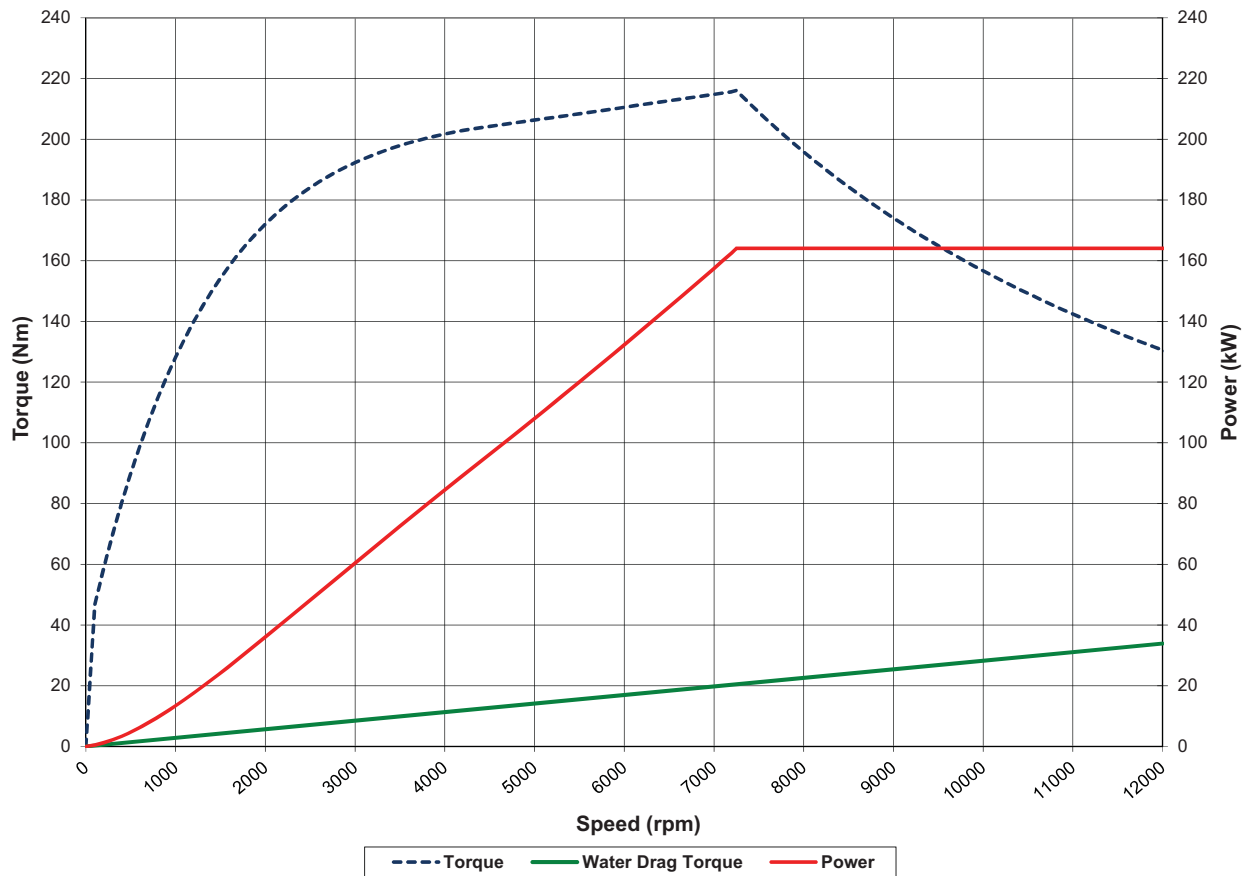


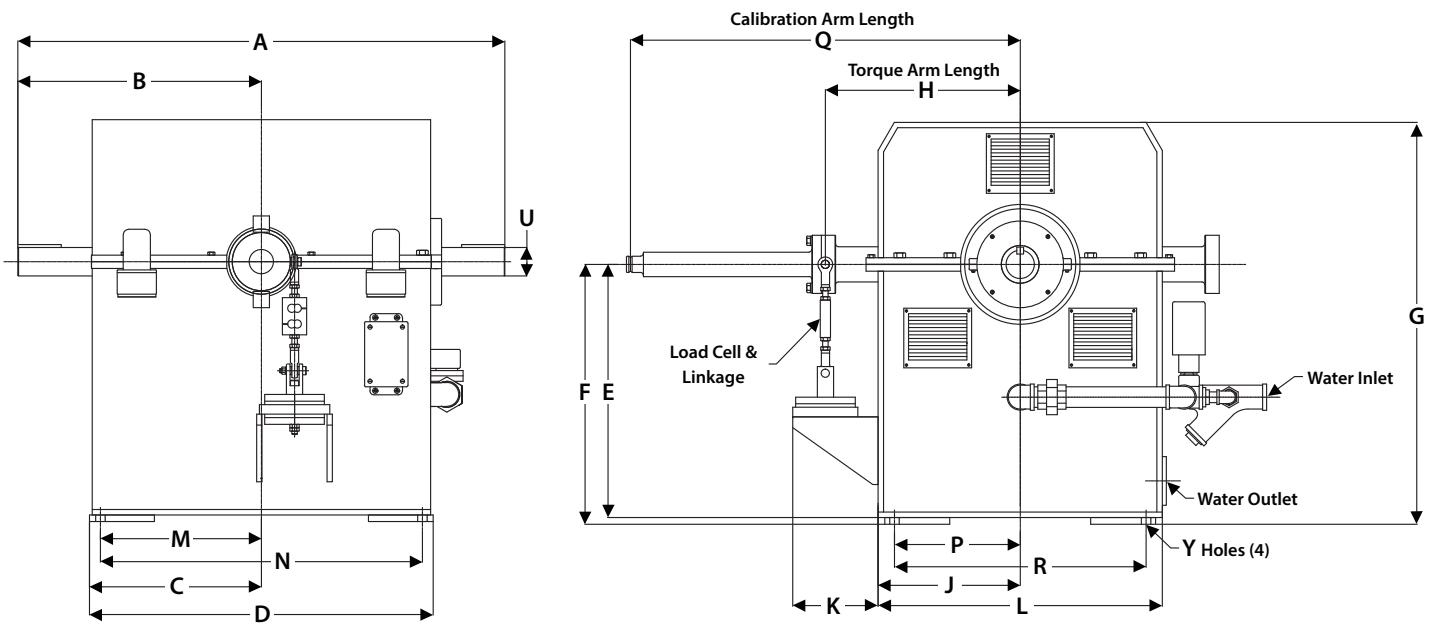
Commissioning, Start-up & Training

### DM-8063 (US Customary)



### DM-8063 (S.I.)





Note: Shown without companion flange

Units	A	B	C	D	E	F	G	H	J
<b>US Customary</b>	26	13	9.85	19.7	12.5	13	20.75	12	7.75
<b>S.I.</b>	660	330	250	500	318	330	527	305	197

Units	K	L	M	N	P	Q	R	U	Y
<b>US Customary</b>	6	15.5	9	18	6.25	18	12.5	1.25	0.63
<b>S.I.</b>	152	394	229	457	159	457	318	32	16

(All dimensions are for new OEM supplied units)

## Standard Included Components

- Load Cell and Linkage
- Cooling Safety Package
- Calibration Arm
- Calibration Weight Hanger
- Companion Flange / Hub Pattern 1310 - US Customary
- Shaft End Guard
- Magnetic Pickup and 60-tooth Gear
- Greased (Shielded) Bearings

*Everything you need to succeed*



Dyne Systems is a division of Taylor Dynamometer  
 W209 N17391 Industrial Dr., Jackson, WI 53037  
 (800) 657-0726 [www.dynesystems.com](http://www.dynesystems.com)

DS2358v002