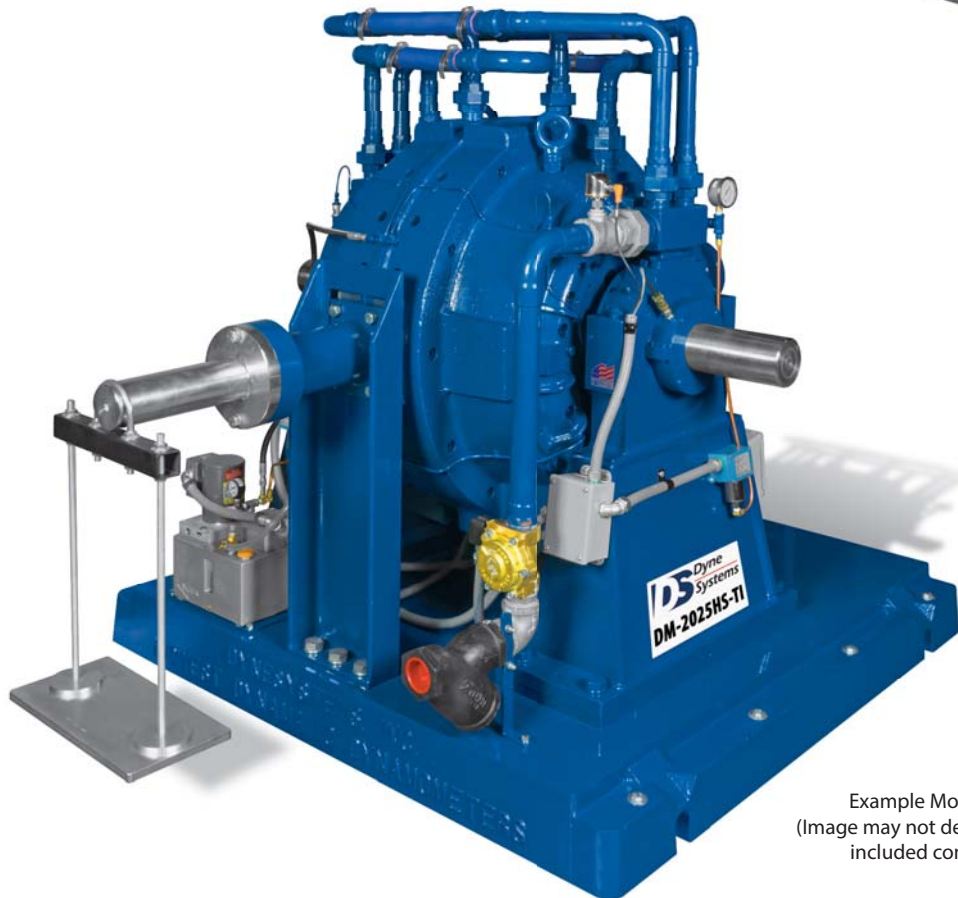




DM-2025HS-TI / Engine Dynamometer



Example Model Shown
(Image may not depict all standard included components)

DM-2025HS-TI Eddy Current Dynamometer

Specifications

| | |
|---------------------------------|---|
| Power: | 1,200 hp (895 kW) |
| Max Torque at Base Speed: | 3,501 lb-ft (4,747Nm) |
| Base Speed: | 1,800 rpm |
| Max. Speed: | 4,500 rpm |
| Construction Type: | Dry Gap |
| Rotor Inertia: | 698 lb-ft ² (29.41 kg-m ²) |
| Coolant Required at Max. Power: | 120 gpm (454.4 lpm) |
| Coolant Inlet (Min-Max): | 55-100 psi (378-689 kPa) |
| Coolant Inlet Temperature Max: | 90°F (32.2°C) |
| Shipping Weight (estimate): | 10,500 lb (4,763 kg) |
| Companion Flange / Hub Pattern: | 1910 - US Customary |
| Coil Voltage / Hot Amperage: | 90V / 26.7 amps |

Recommended Accessories

- Driveshaft - 1910
- Torsional Coupling - 1910
- Flywheel Adapter Plate Kit
- Driveshaft Guard
- Sub-Base Kit
- Engine Cart
- Air or Electric Starter
- Engine Cooling Column
- Charge Air Cooler
- Water Recirculating System

Everything you need to succeed

Optional Accessories



Optional Manual Shaft Lock



Optional Closed Loop Cooling Center



Optional Charge Air Cooler



Optional Driveshaft Guard



Optional Engine Cart

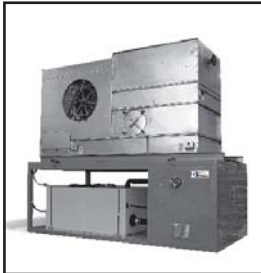
Various Facility Support Systems and Services Available



Bulk Fuel Storage and Distribution



Coolant Storage and Distribution



Water Recirculation

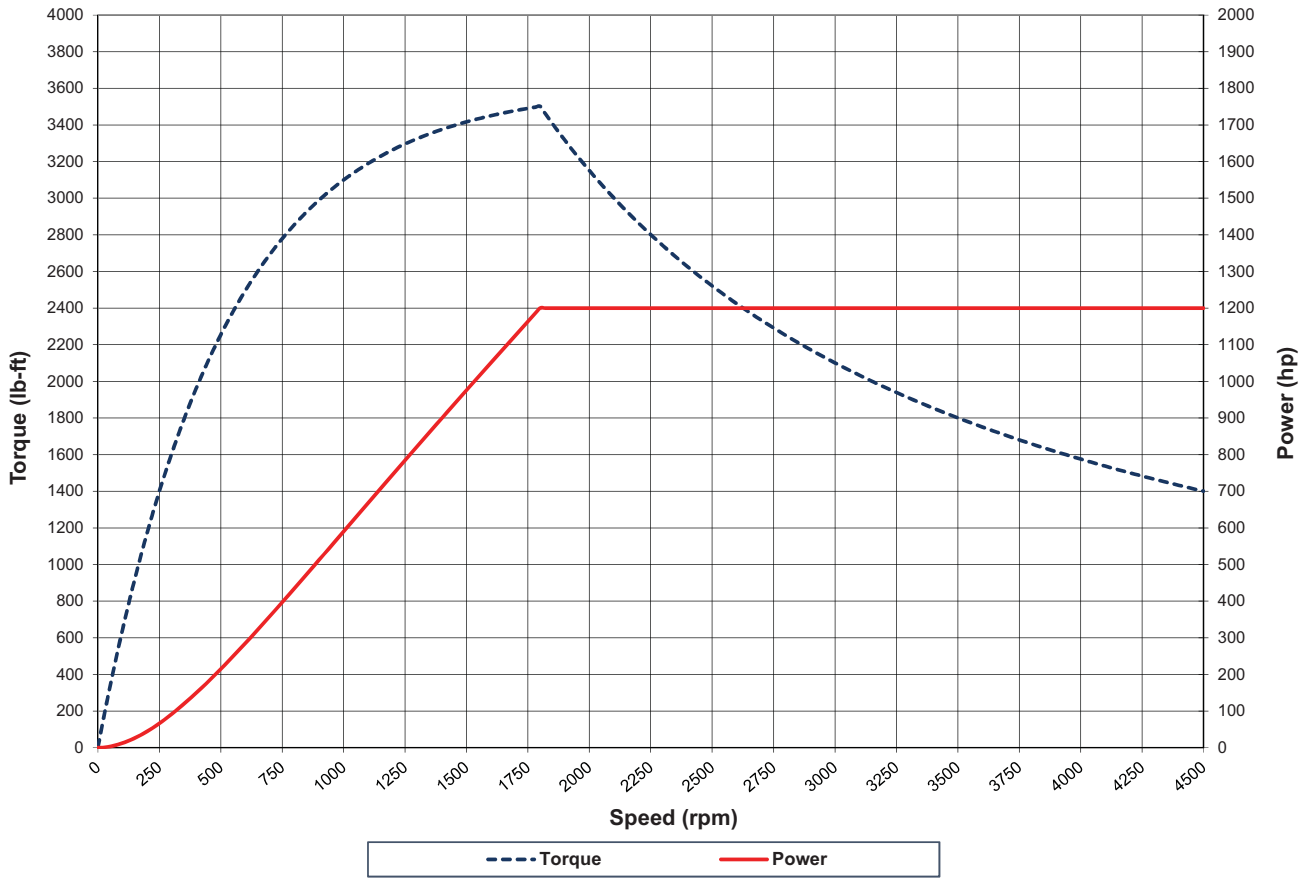


Design, Project & Construction Management Services

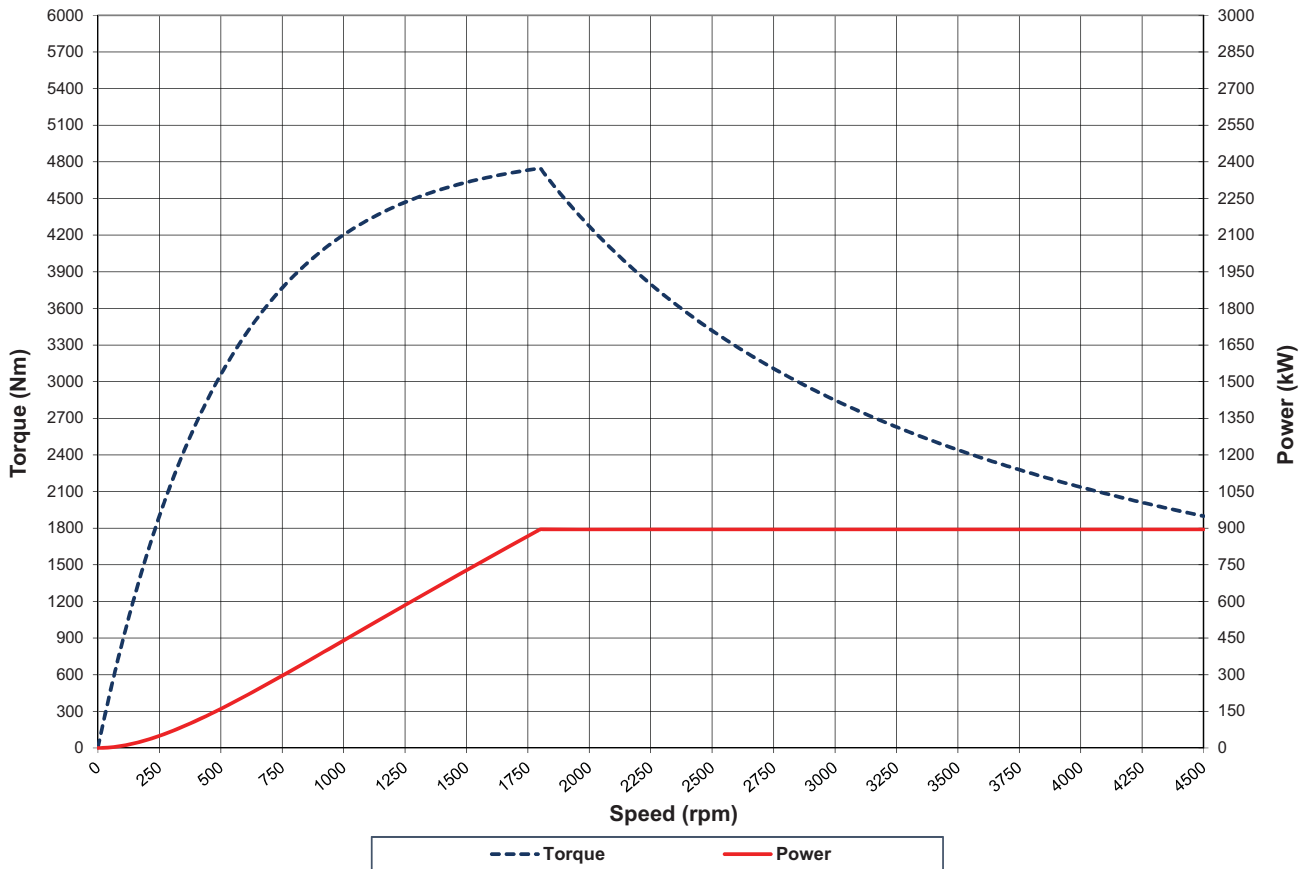


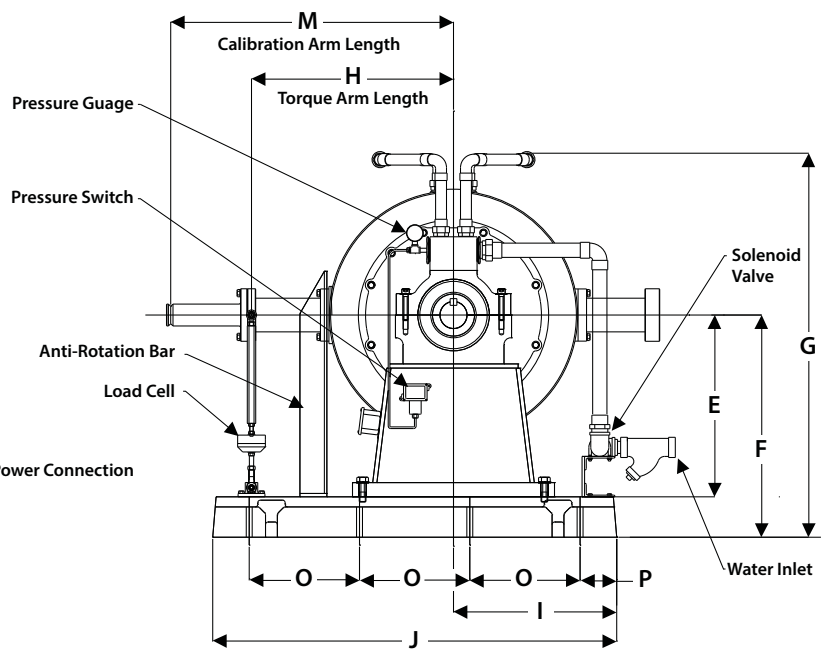
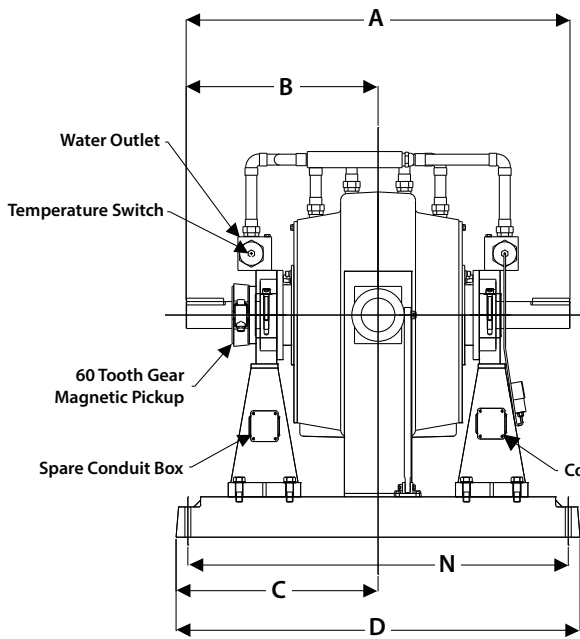
Commissioning, Start-up & Training

DM-2025HS-TI (US Customary)



DM-2025HS-TI (S.I.)





Note: Shown without companion flange

| Units | A | B | C | D | E | F | G | H | I |
|---------------------|-------|------|-----|-------|-----|-----|-------|-----|-------|
| US Customary | 57 | 28.5 | 30 | 60 | 27 | 33 | 57 | 30 | 24.25 |
| S.I. | 1,448 | 724 | 762 | 1,524 | 686 | 838 | 1,448 | 762 | 616 |

| Units | J | M | N | O | P |
|---------------------|-------|-------|-------|-------|------|
| US Customary | 60 | 42 | 56.5 | 16.38 | 5.44 |
| S.I. | 1,524 | 1,067 | 1,435 | 416 | 138 |

(All dimensions are for new OEM supplied units)

Standard Included Components

- Load Cell and Linkage
- Cooling Safety Package
- Calibration Arm
- Calibration Weight Hanger
- Companion Flange / Hub Pattern 1910 - US Customary
- Shaft End Guard
- Magnetic Pickup and 60-tooth Gear
- Pressurized Re-Circulating Oil System
- Bearing RTDs

Everything you need to succeed



Dyne Systems is a division of Taylor Dynamometer
 W209 N17391 Industrial Dr., Jackson, WI 53037
 (800) 657-0726 www.dynesystems.com

DS2353v001