



## DM-2025-1 / Engine Dynamometer



Example Model Shown  
(Image may not depict all standard  
included components)

## DM-2025-1 Eddy Current Dynamometer

### Specifications

Power:	1,500 hp (1,119 kW)
Max Torque at Base Speed:	8,517 lb-ft (11,547 Nm)
Base Speed:	925 rpm
Max. Speed:	3,600 rpm
Construction Type:	Wet Gap
Rotor Inertia:	698 lb-ft <sup>2</sup> (29.41 kg-m <sup>2</sup> )
Coolant Required at Max. Power:	150 gpm (567.8 lpm)
Coolant Inlet (Min-Max):	55-100 psi (378-689 kPa)
Coolant Inlet Temperature Max:	90°F (32.2°C)
Shipping Weight (estimate):	10,500 lb (4,763 kg)
Companion Flange / Hub Pattern:	1910 - US Customary
Coil Voltage / Hot Amperage:	90V / 20.77 amps

### Recommended Accessories

- Driveshaft - 1910
- Torsional Coupling - 1910
- Flywheel Adapter Plate Kit
- Driveshaft Guard
- Sub-Base Kit
- Engine Cart
- Air or Electric Starter
- Engine Cooling Column
- Charge Air Cooler
- Water Recirculating System

***Everything you need to succeed***

## Optional Accessories



Optional Manual  
Shaft Lock



Optional Closed Loop  
Cooling Center



Optional Charge  
Air Cooler



Optional Driveshaft Guard



Optional Engine Cart

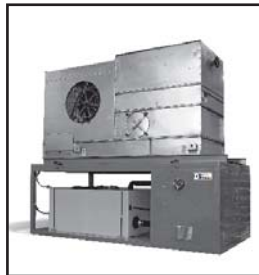
## Various Facility Support Systems and Services Available



Bulk Fuel Storage  
and Distribution



Coolant Storage  
and Distribution



Water  
Recirculation

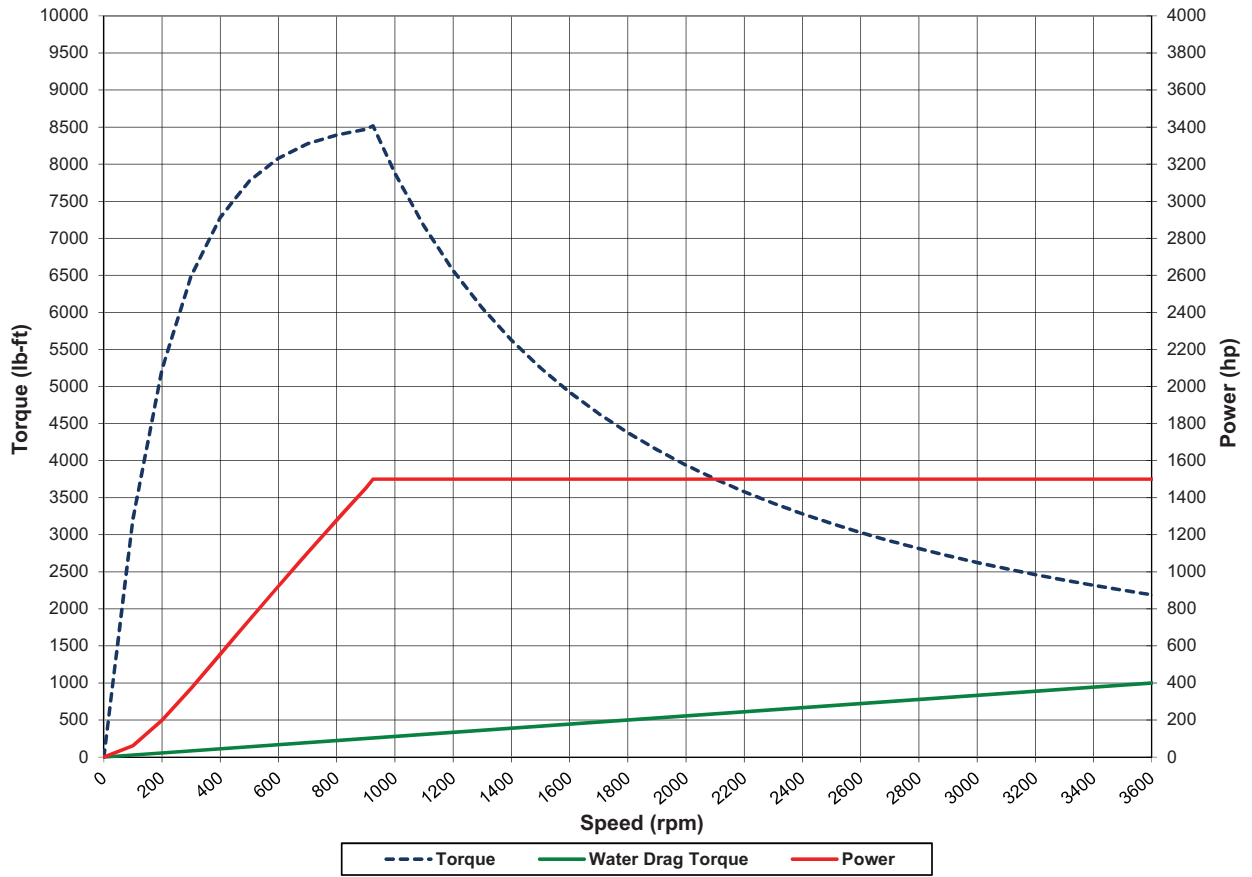


Design, Project  
& Construction  
Management Services

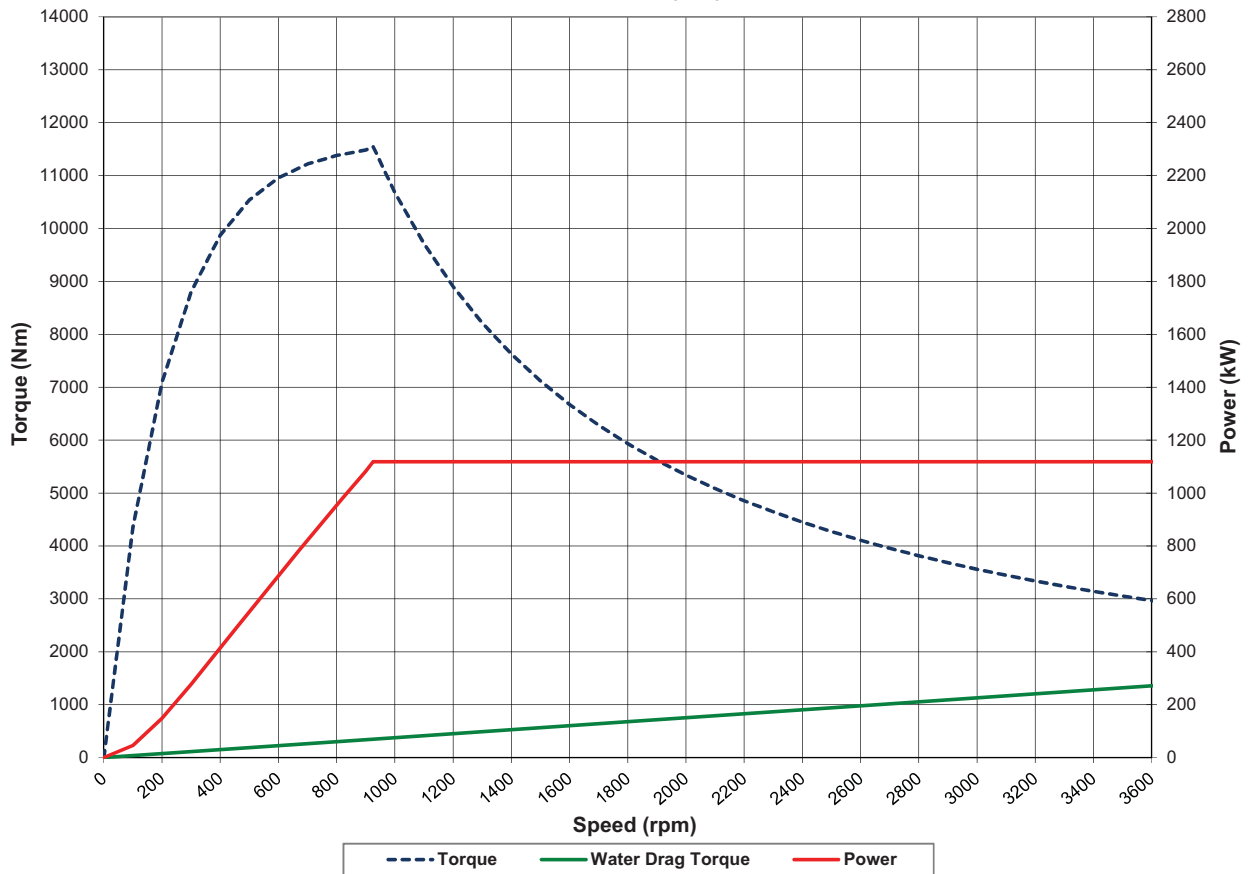


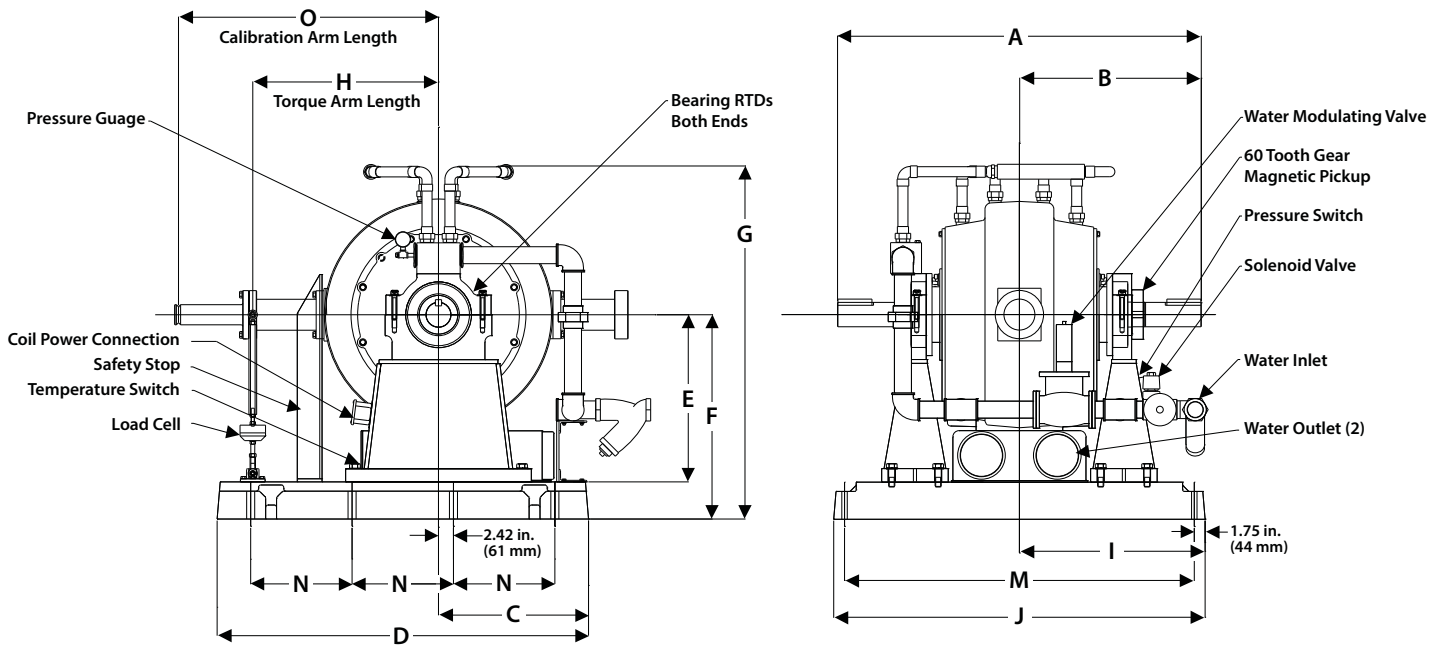
Commissioning,  
Start-up & Training

DM-2025-1 (US Customary)



DM-2025-1 (S.I.)





Note: Shown without companion flange

Units	A	B	C	D	E	F	G	H	I
<b>US Customary</b>	57	28.5	24.24	60	27	33	57	30	30
<b>S.I.</b>	1,448	724	616	1,524	686	838	1,448	762	762

Units	J	M	N	O
<b>US Customary</b>	60	56.5	16.38	42
<b>S.I.</b>	1,524	1,435	416	1,067

(All dimensions are for new OEM supplied units)

## Standard Included Components

- Load Cell and Linkage
- Cooling Safety Package
- Calibration Arm
- Calibration Weight Hanger
- Companion Flange / Hub Pattern 1910 - US Customary
- Shaft End Guard
- Magnetic Pickup and 60-tooth Gear
- Constant Level Oilers

*Everything you need to succeed*



Dyne Systems is a division of Taylor Dynamometer  
 W209 N17391 Industrial Dr., Jackson, WI 53037  
 (800) 657-0726 [www.dynesystems.com](http://www.dynesystems.com)

DS2346v002