



## MW-3HS / Engine Dynamometer



Example Model Shown  
(Image may not depict all standard included components)

## MW-3HS Eddy Current Dynamometer

### Specifications

Power:	5 hp (4 kW)
Max Torque at Base Speed:	7.3 lb-ft (9.9 Nm)
Base Speed:	3,600 rpm
Max. Speed:	19,000 rpm
Construction Type:	Dry Gap
Rotor Inertia:	0.044 lb-ft <sup>2</sup> (0.002 kg-m <sup>2</sup> )
Coolant Required at Max. Power:	0.5 gpm (1.9 lpm)
Coolant Inlet (Min-Max):	55-100 psi (378-689 kPa)
Coolant Inlet Temperature Max:	90°F (32.2°C)
Shipping Weight (estimate):	180 lb (82 kg)
Companion Flange / Hub:	Spider Coupling
Coil Voltage / Hot Amperage:	90V / 1.13 amps

### Recommended Accessories

- Spider Coupling
- Sub-Base Kit
- Water Recirculating System
- T-Slot Table
- Calibration Weights

***Everything you need to succeed***

# Optional Accessories



Optional Automatic Day Tank



Optional Calibration Weights



Optional T-Slot Table

---

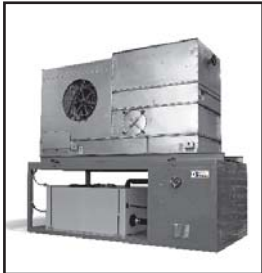
## Various Facility Support Systems and Services Available



Bulk Fuel Storage and Distribution



Coolant Storage and Distribution



Water Recirculation

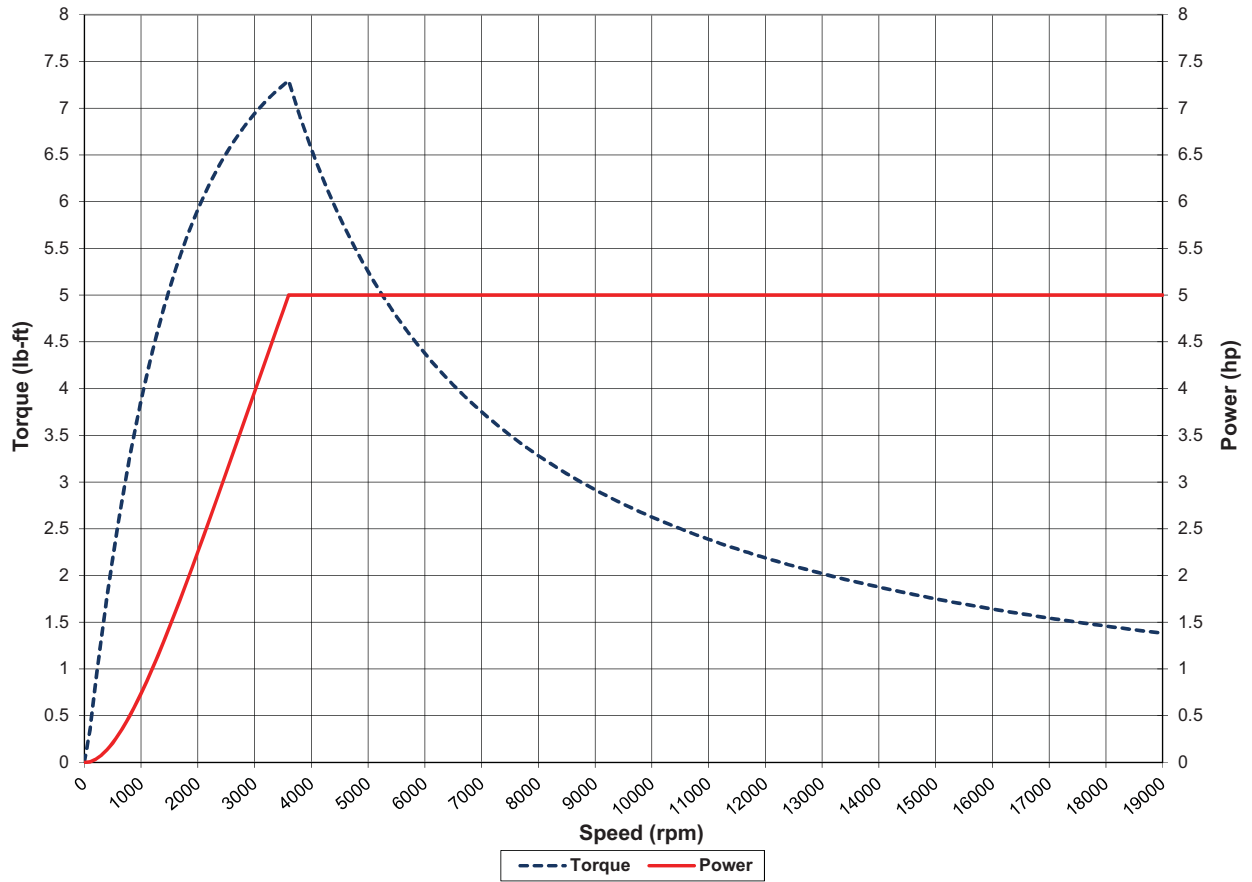


Design, Project & Construction Management Services

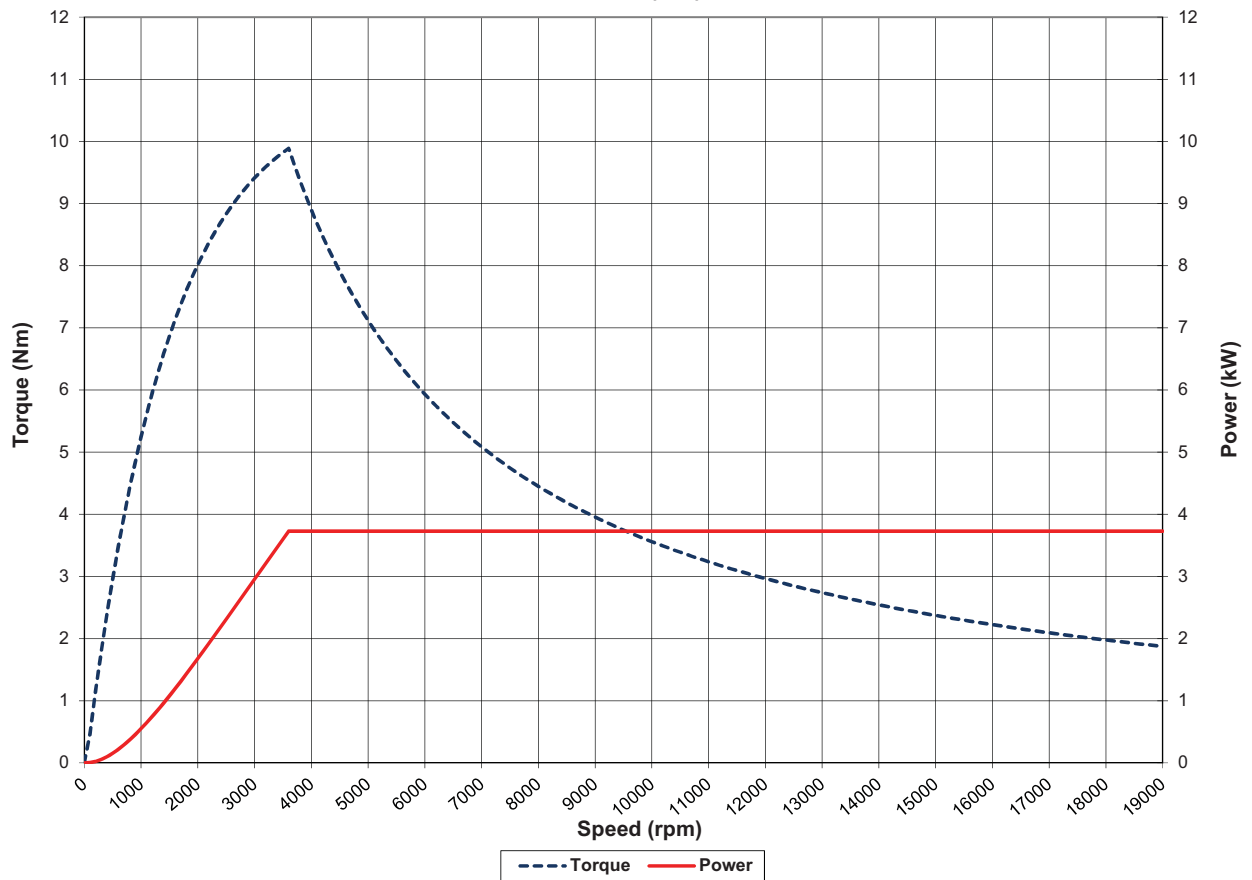


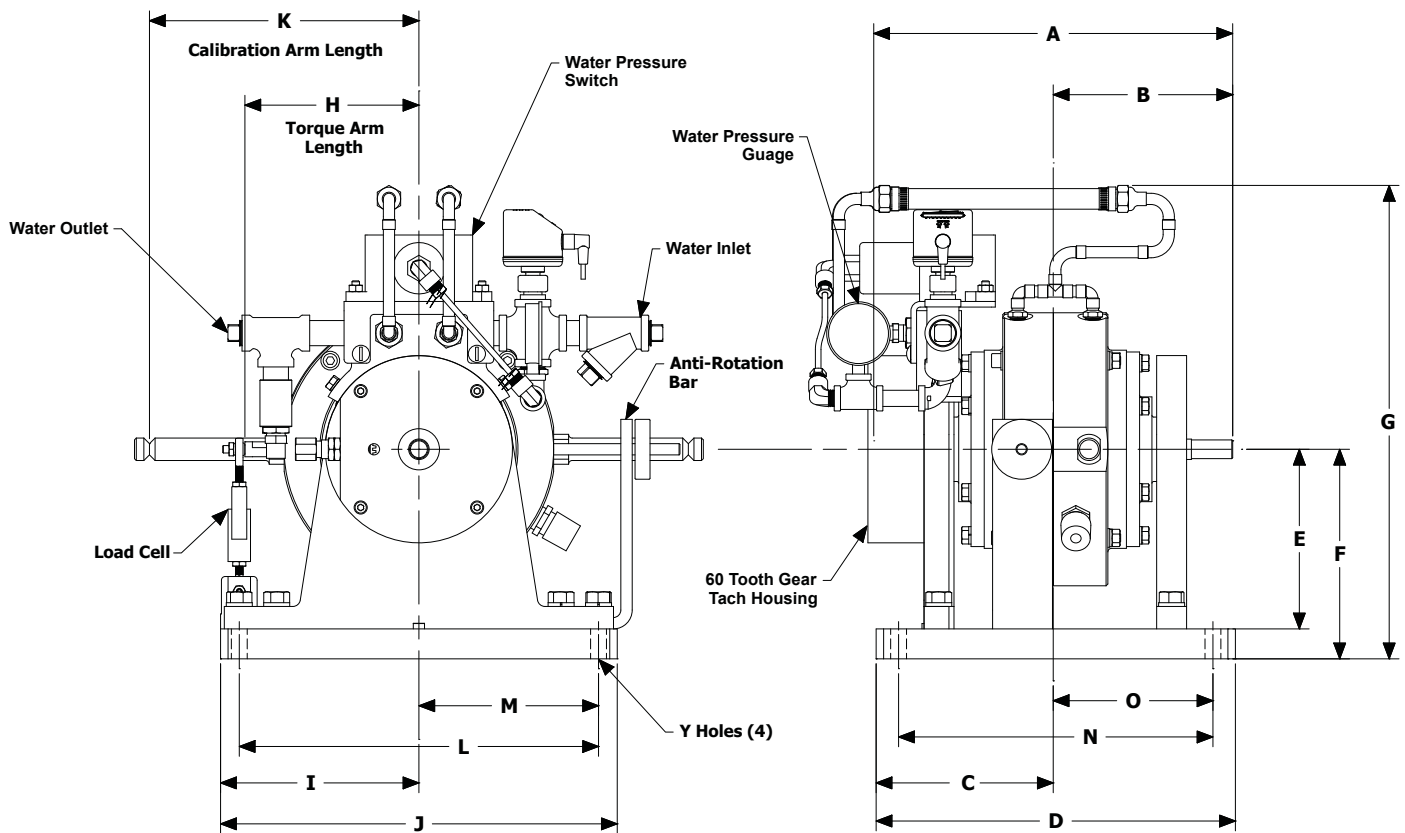
Commissioning, Start-up & Training

MW-3HS (US Customary)



MW-3HS (S.I.)





Note: Shown without companion flange

Units	A	B	C	D	E	F	G	H
US Customary	12	6	6	12	6	7	15.8	5.8
S.I.	305	152	152	305	152	178	401	147

Units	I	J	K	L	M	N	O	Y
US Customary	6.63	13.25	9	12	6	10.5	5.25	.53
S.I.	168	337	229	305	152	267	133	13

(All dimensions are for new OEM supplied units)

## Standard Included Components

- Load Cell and Linkage
- Cooling Safety Package
- Calibration Arm
- Calibration Weight Hanger
- Companion Flange / Hub - Spider Coupling
- Magnetic Pickup and 60-tooth Gear
- Greased Rotor Bearings

*Everything you need to succeed*



Dyne Systems is a division of Taylor Dynamometer  
W209 N17391 Industrial Dr., Jackson, WI 53037  
(800) 657-0726 [www.dynesystems.com](http://www.dynesystems.com)

DS2300v001